

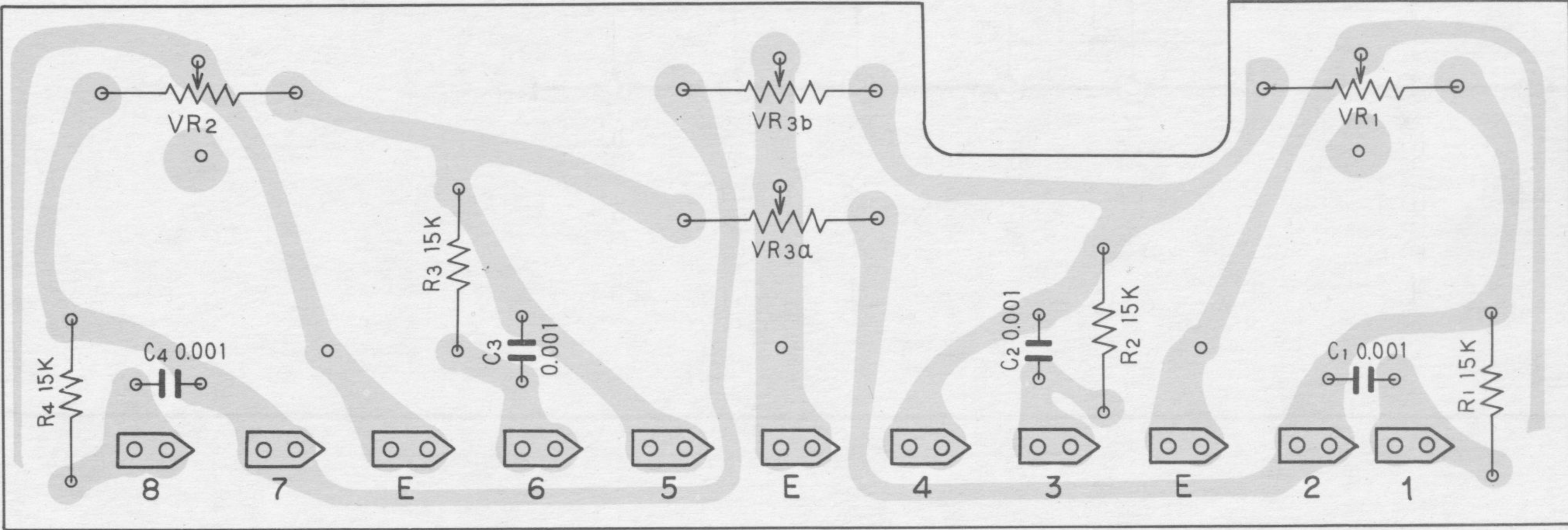
QUADRAPHONIC RECEIVER

# QX-4000

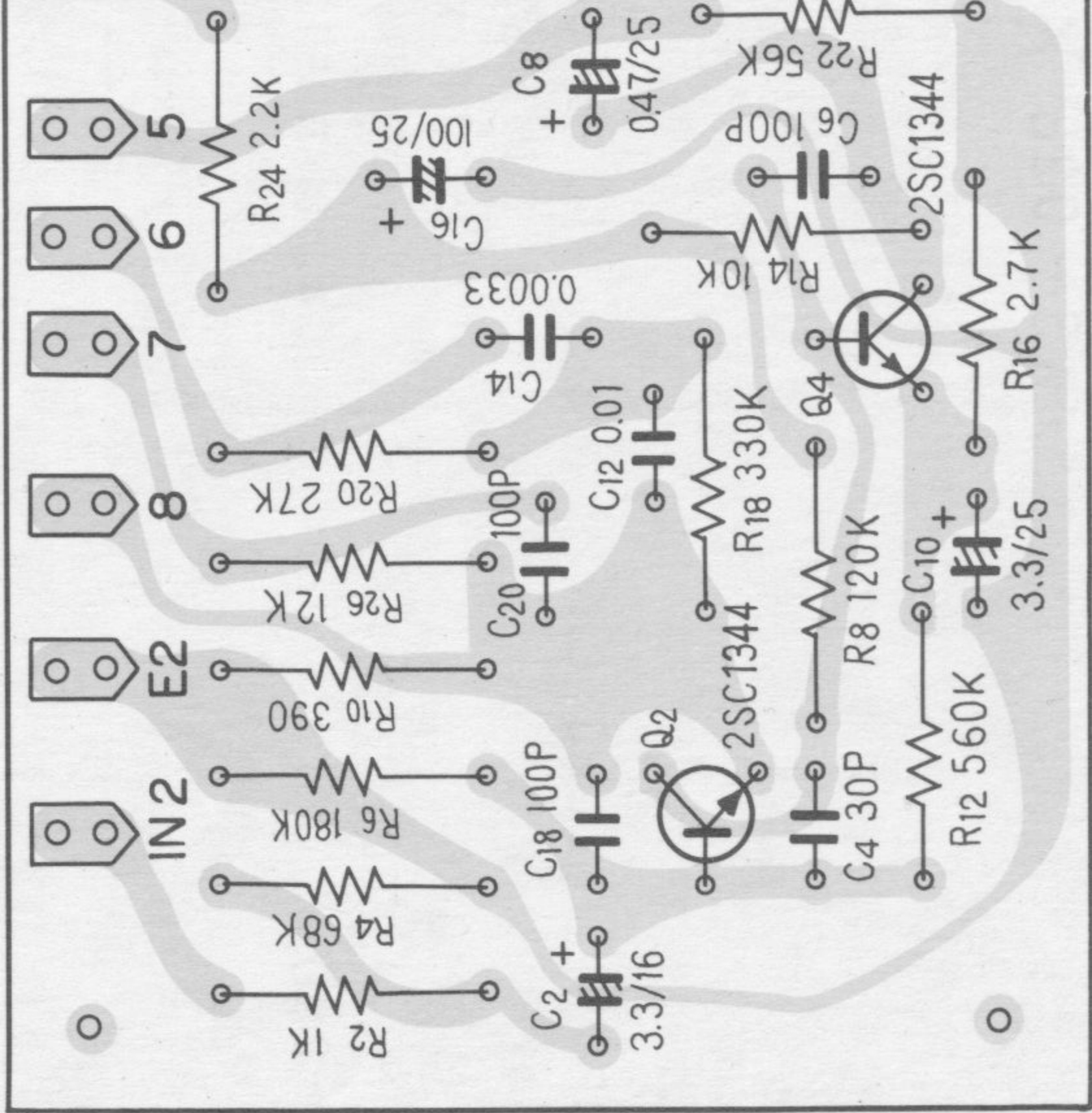
FSAW FW K UW

25

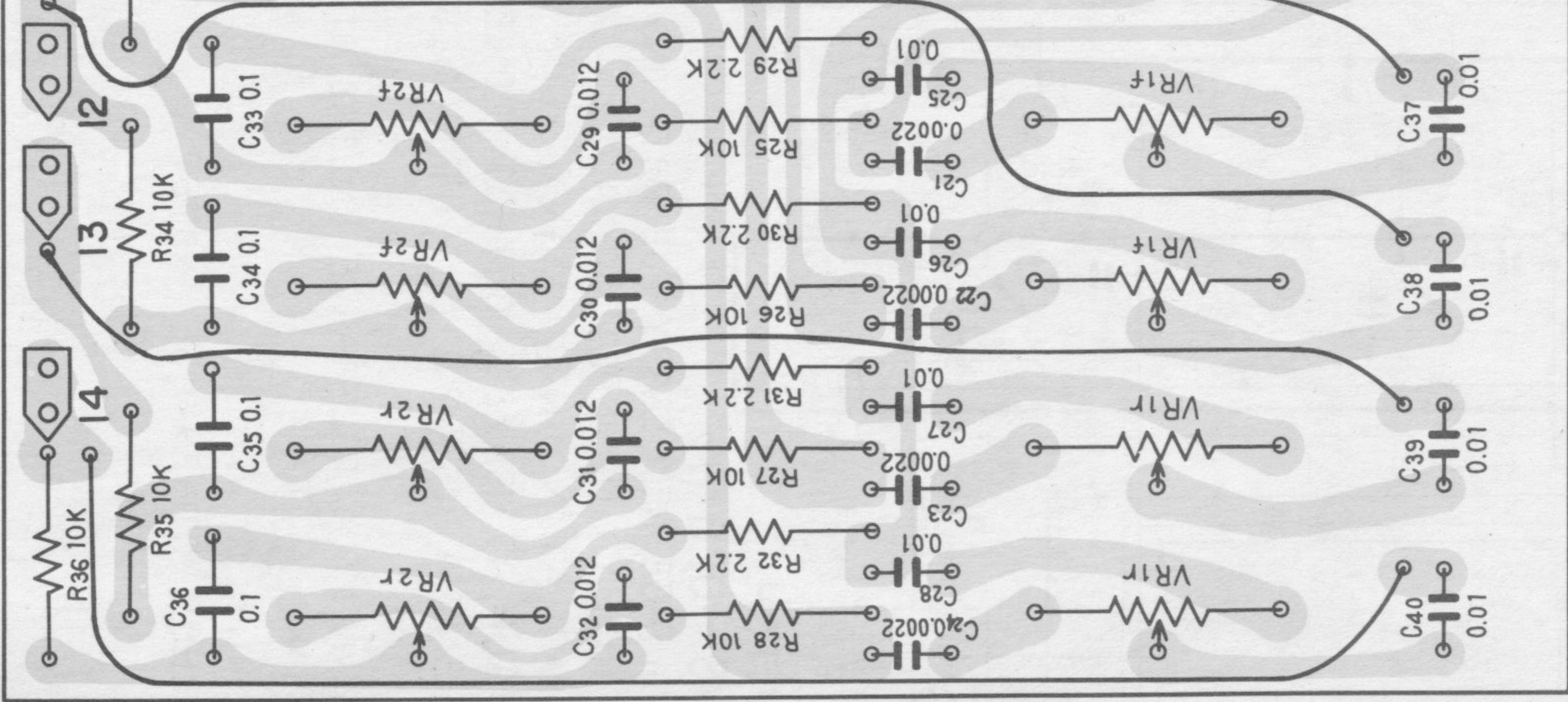
Volume ass'y AWX-028



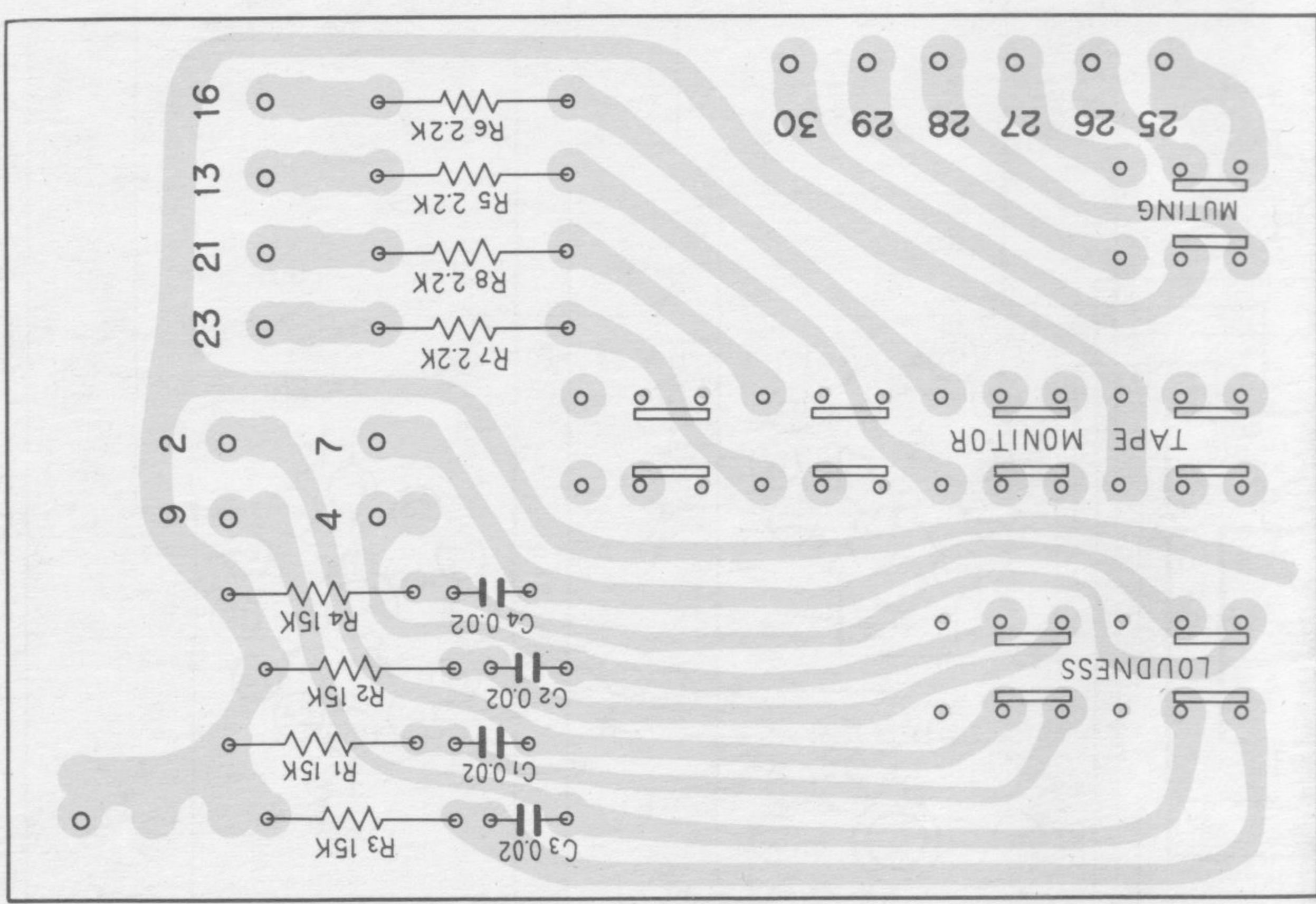
Head amp ass'y AWF-003



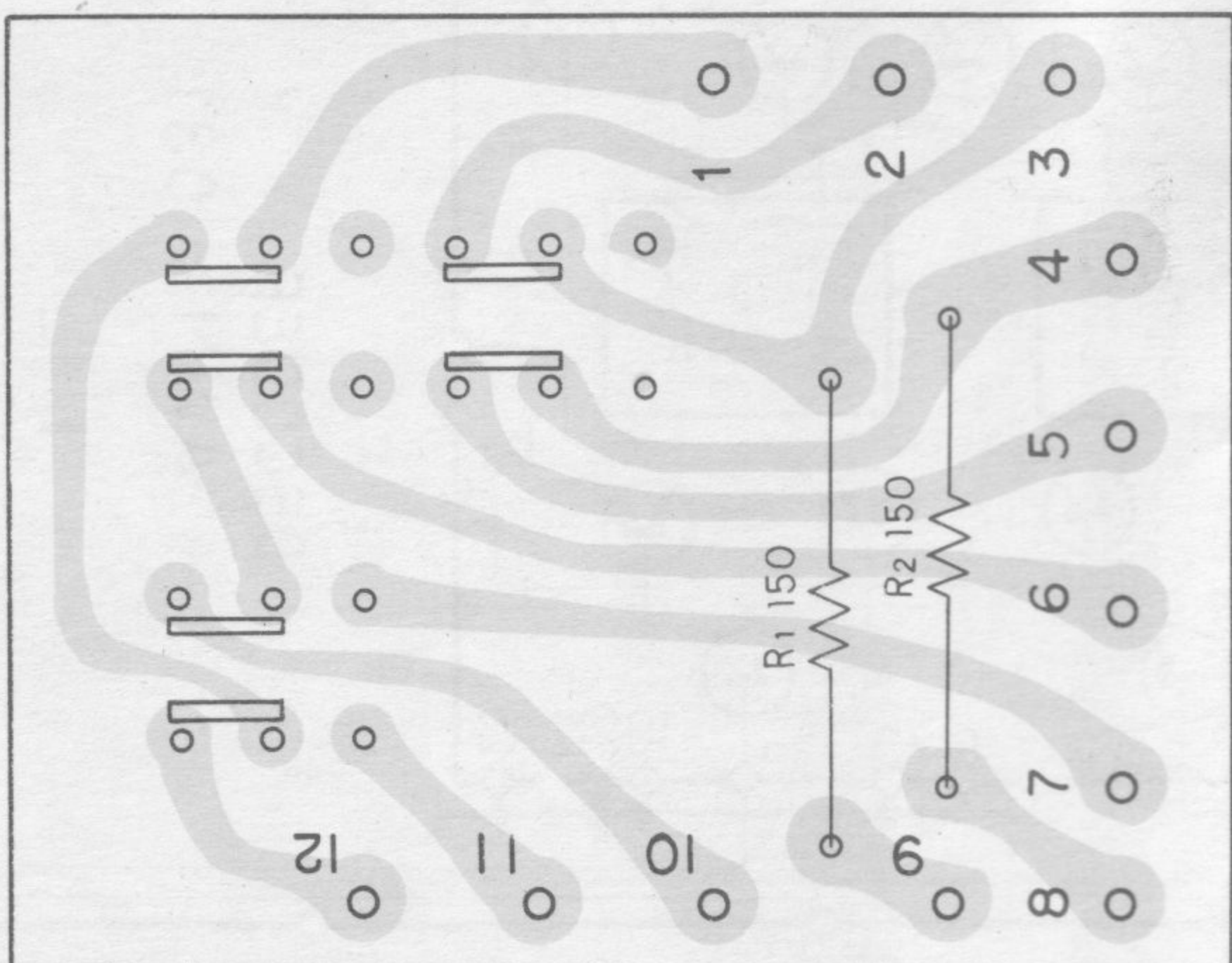
Control amp ass'y AWG-015



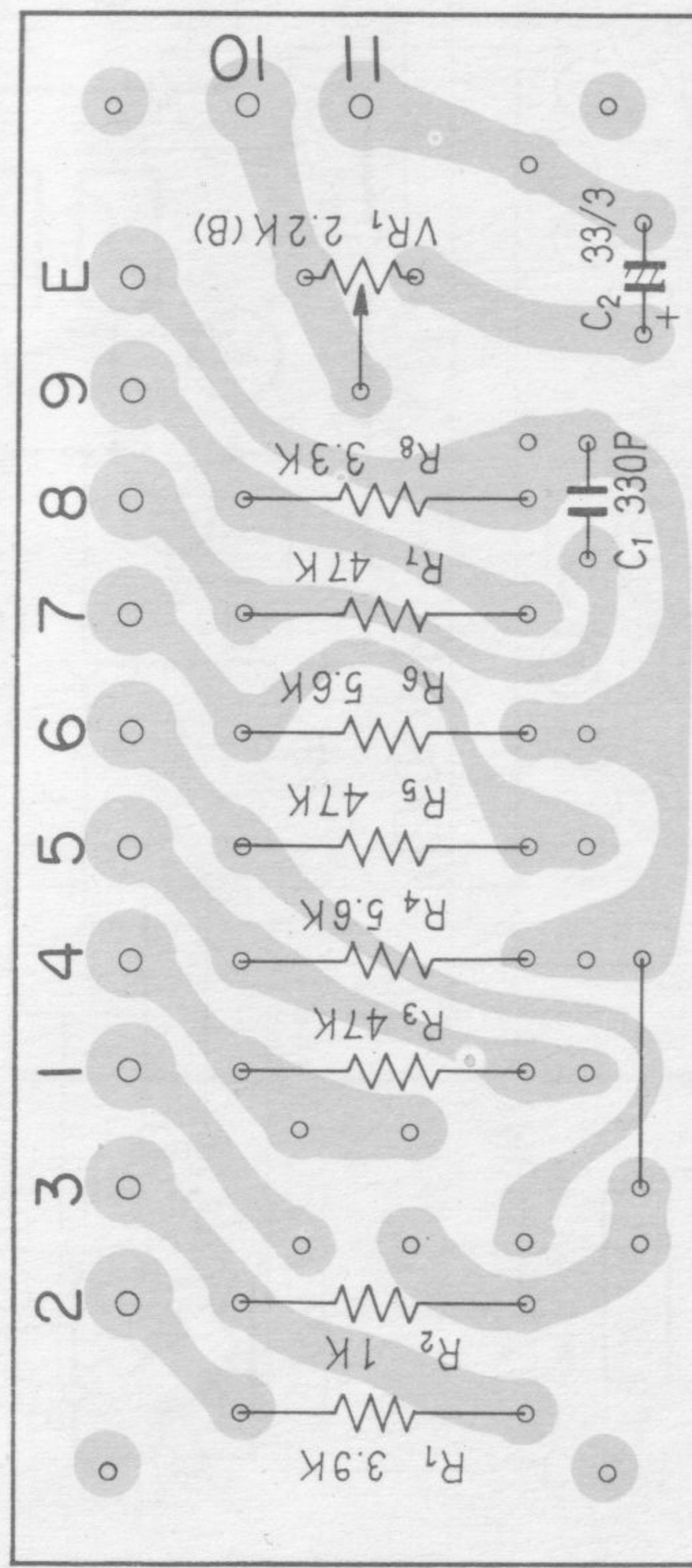
Switch ass'y AWS-023



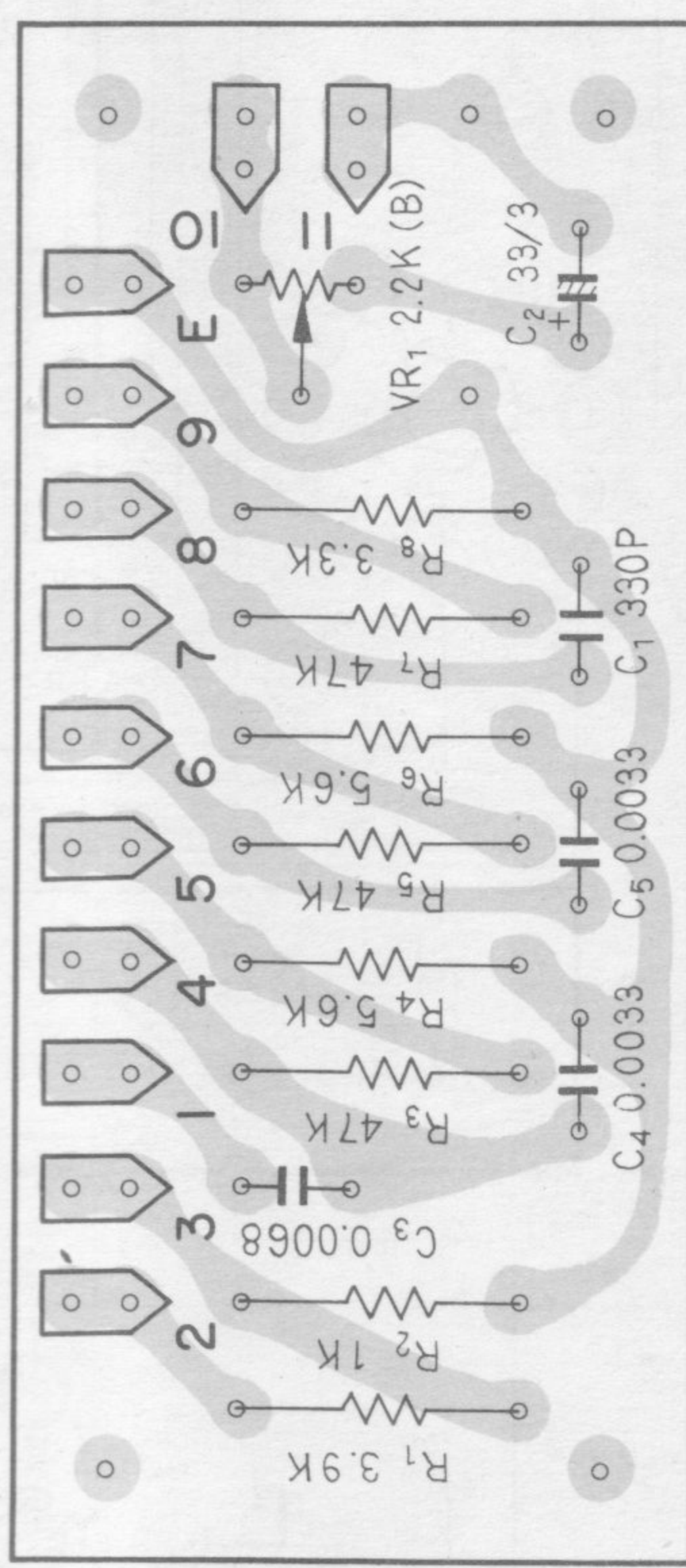
SP switch ass'y AWS-024



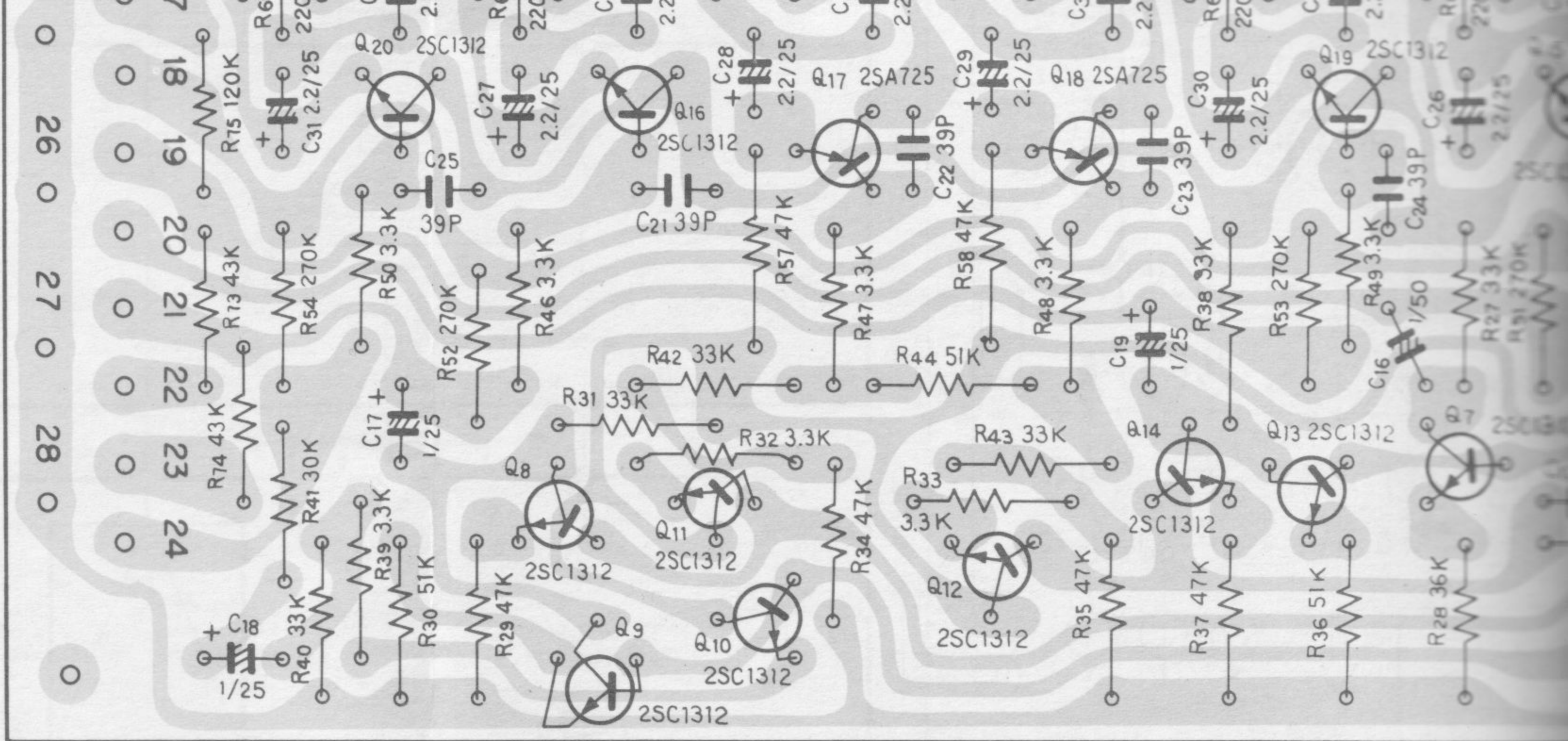
CR ass'y AWX-004 (FSAW, FW model)



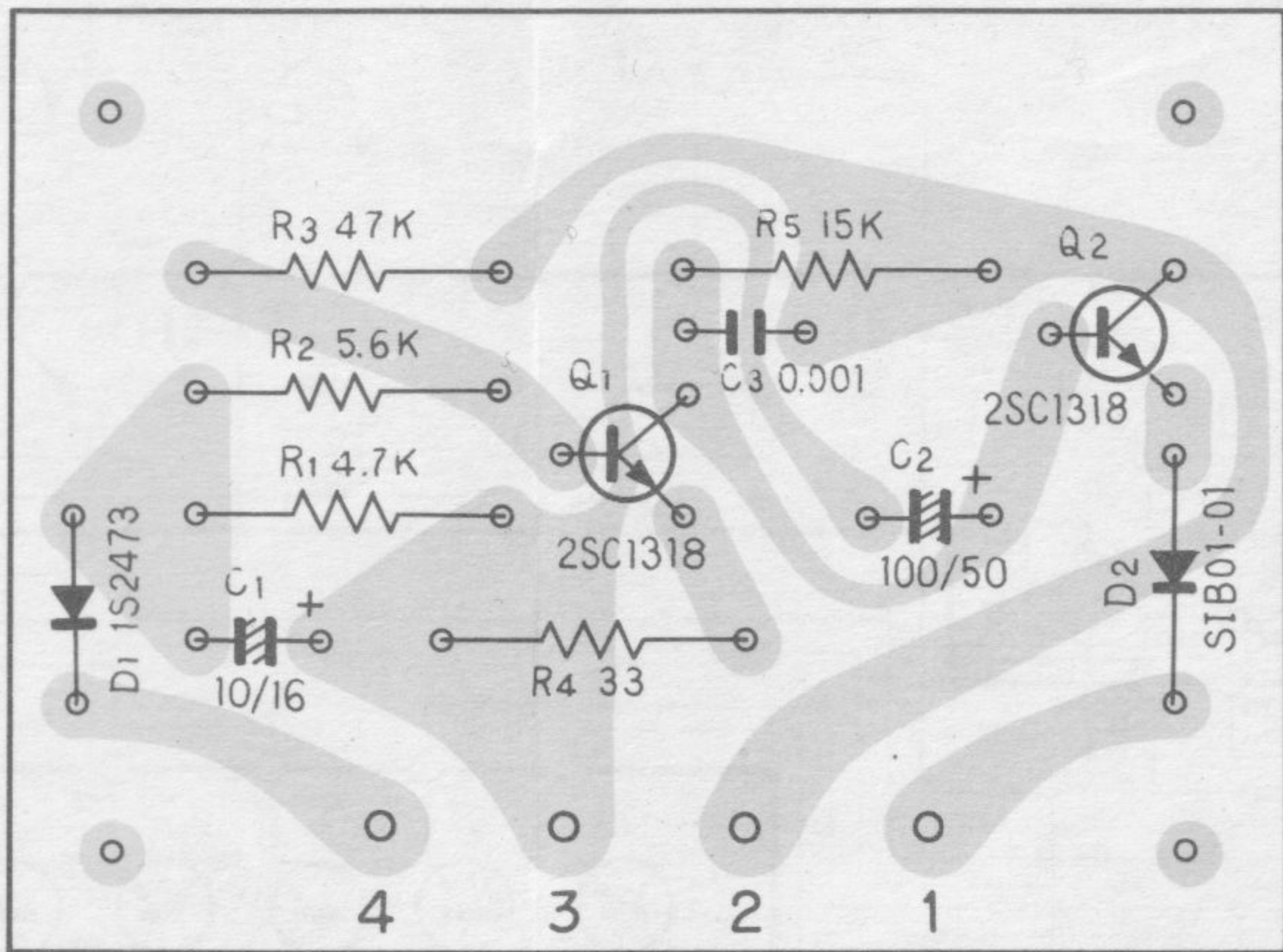
CR ass'y AWX-012 (KUW model)



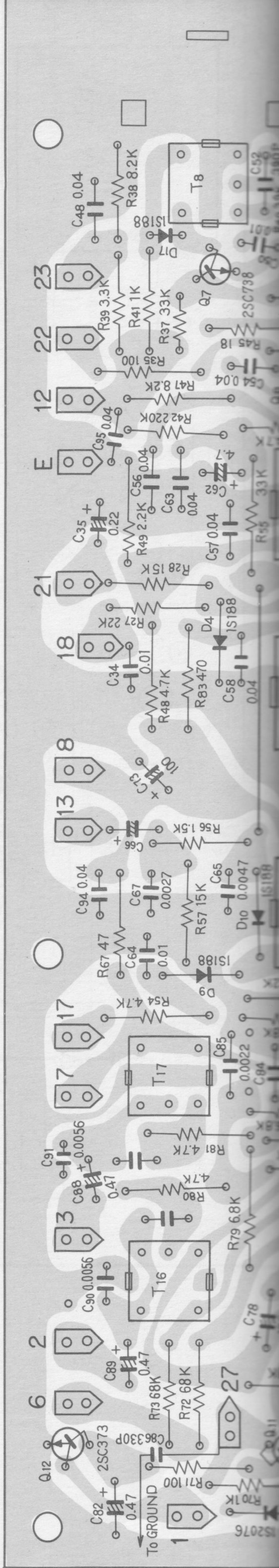
Decoder ass'y AWM-031

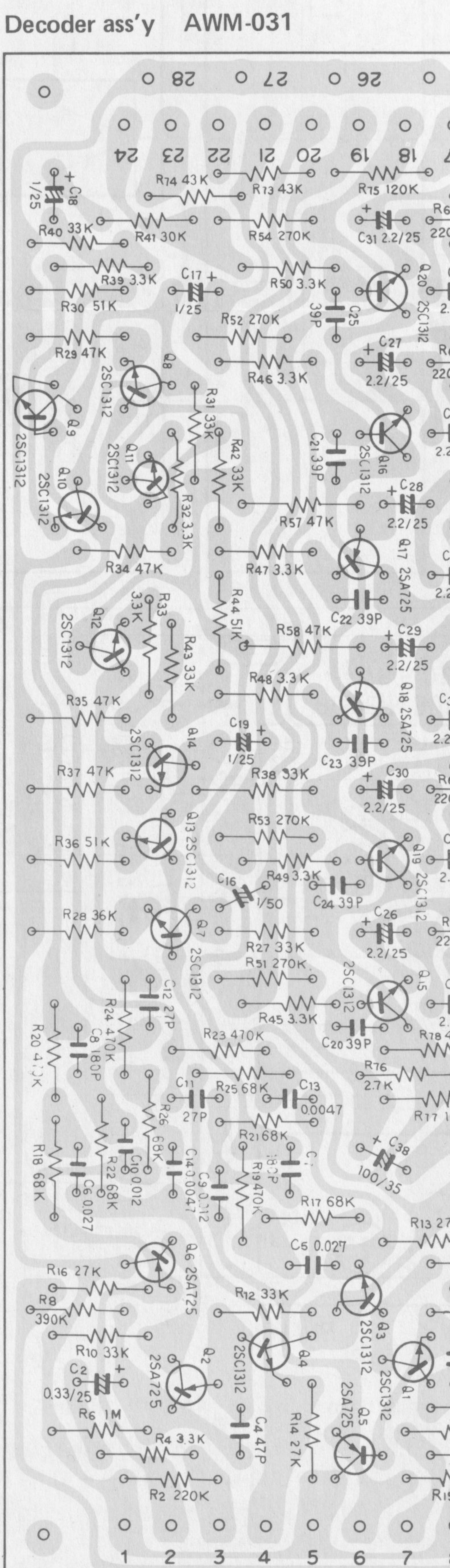
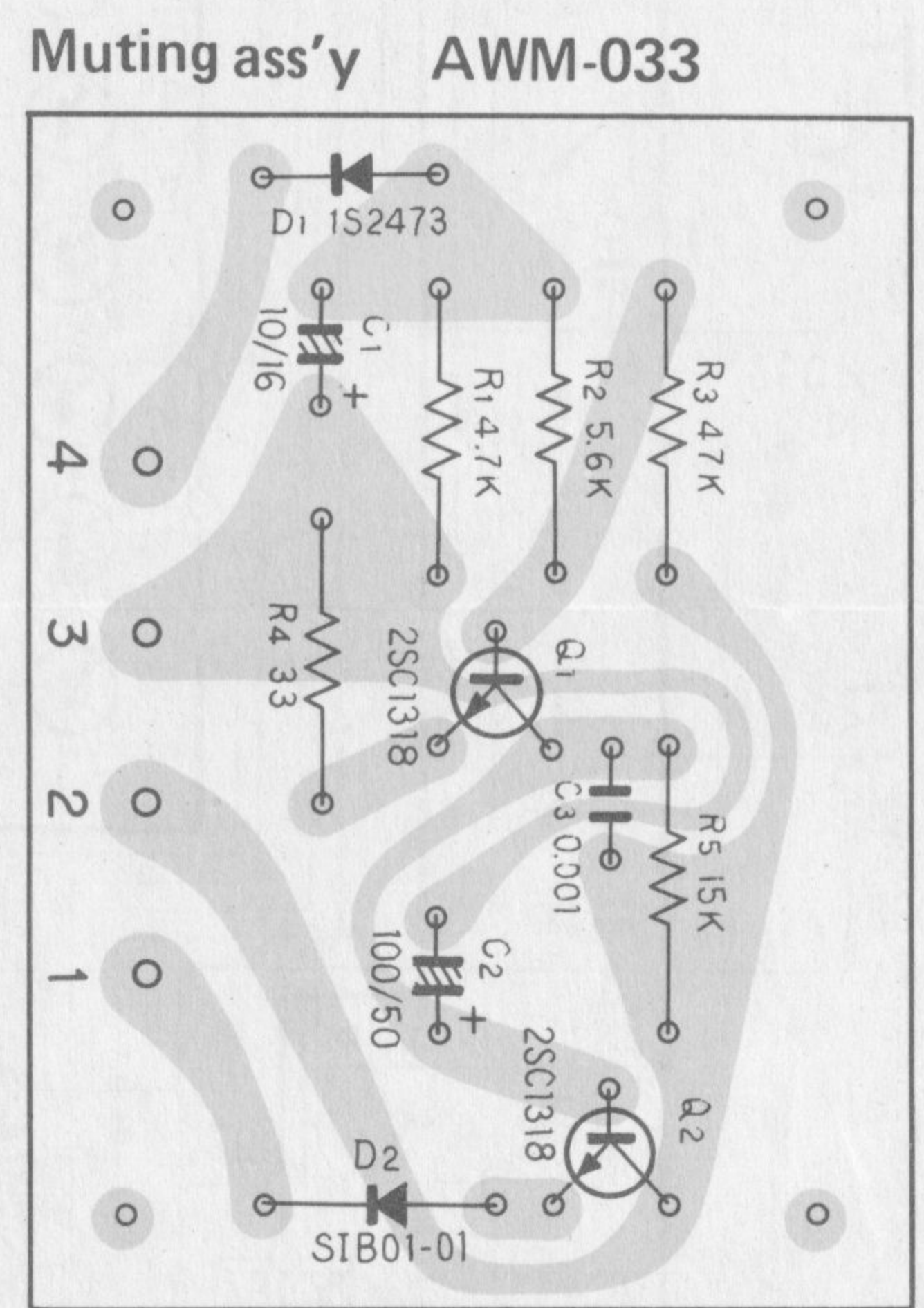
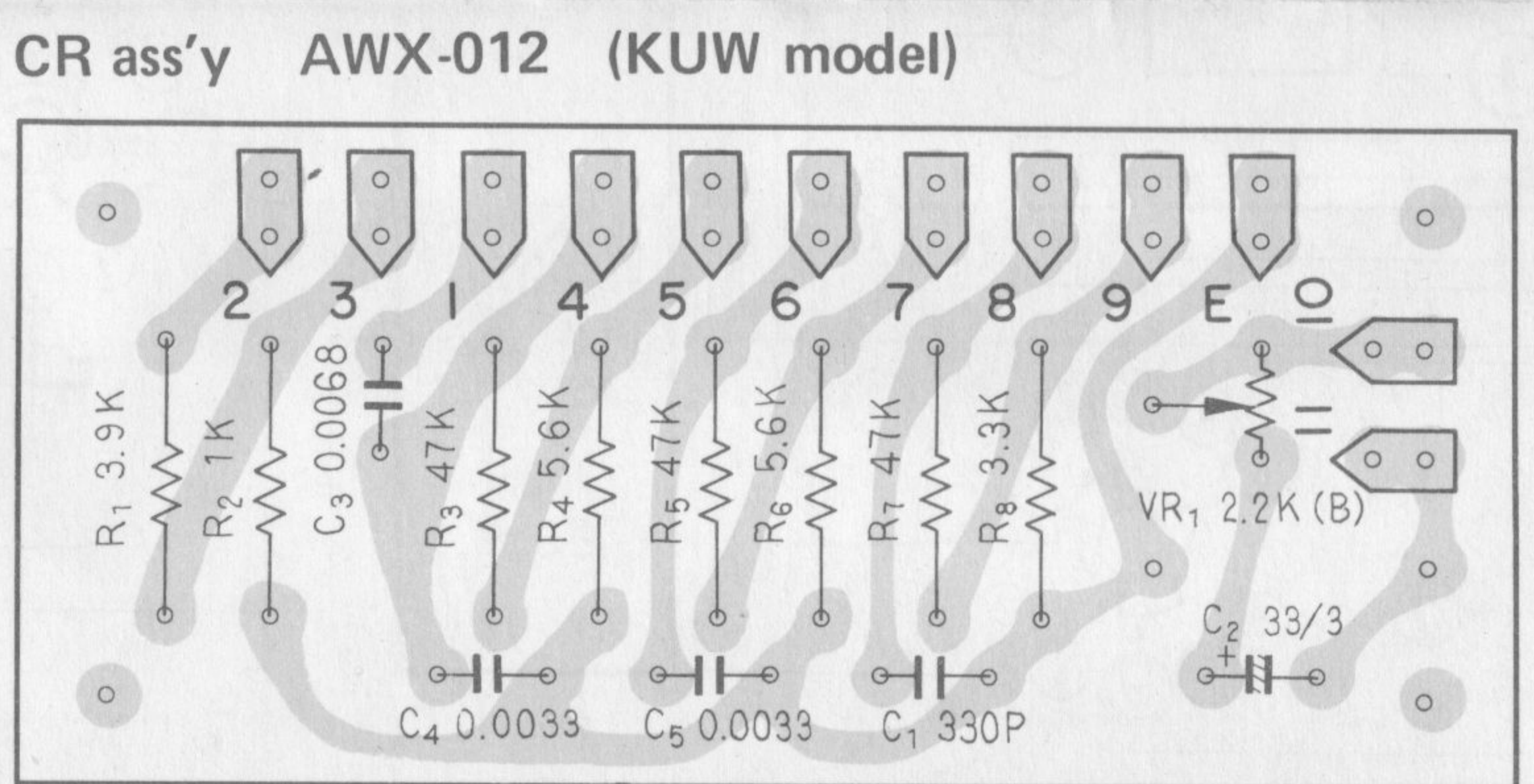
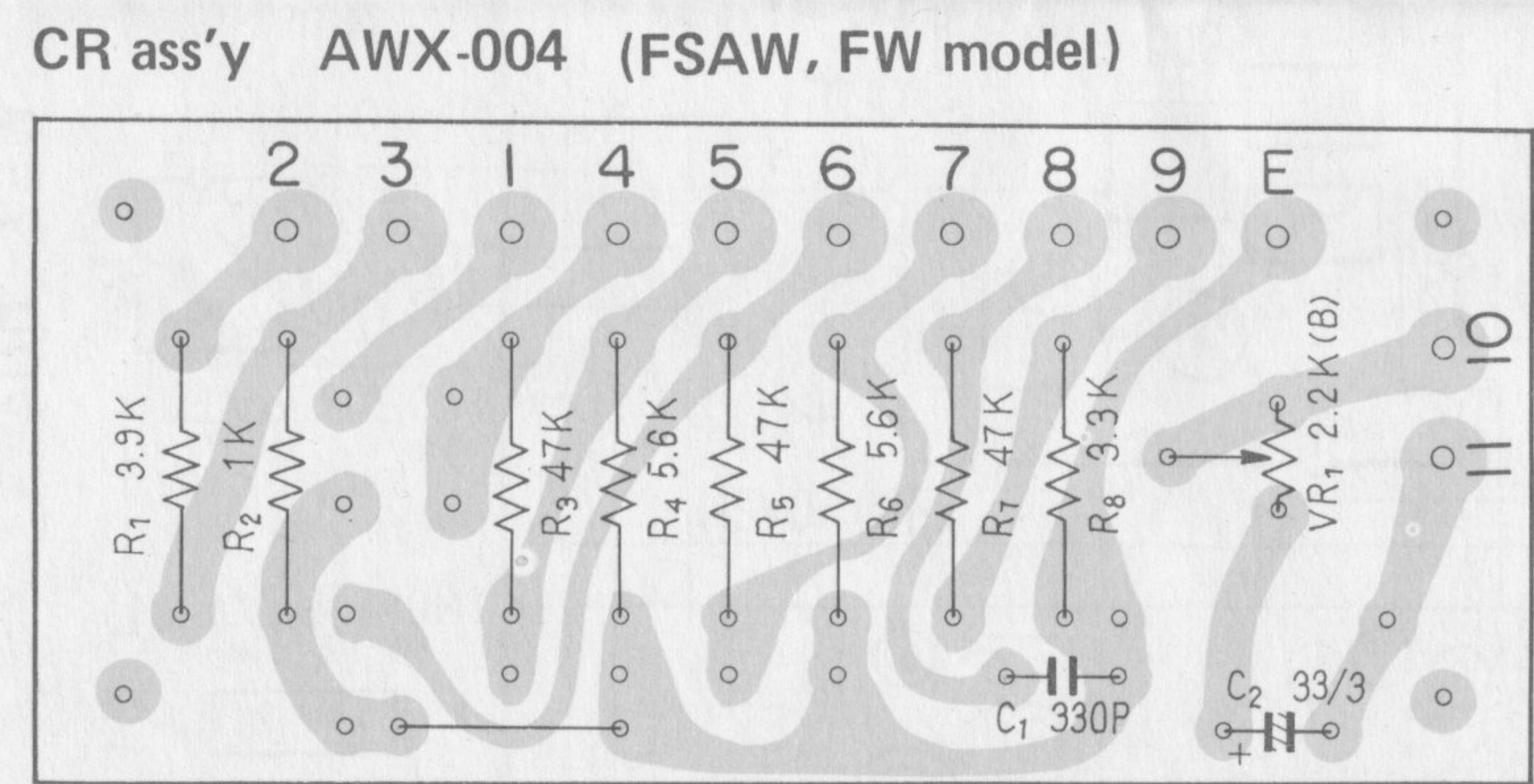
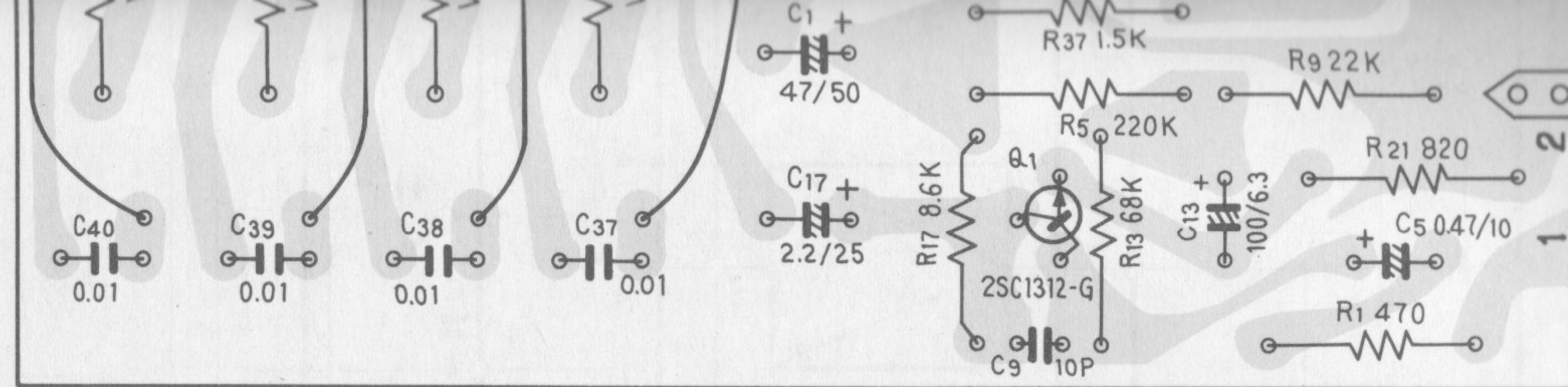
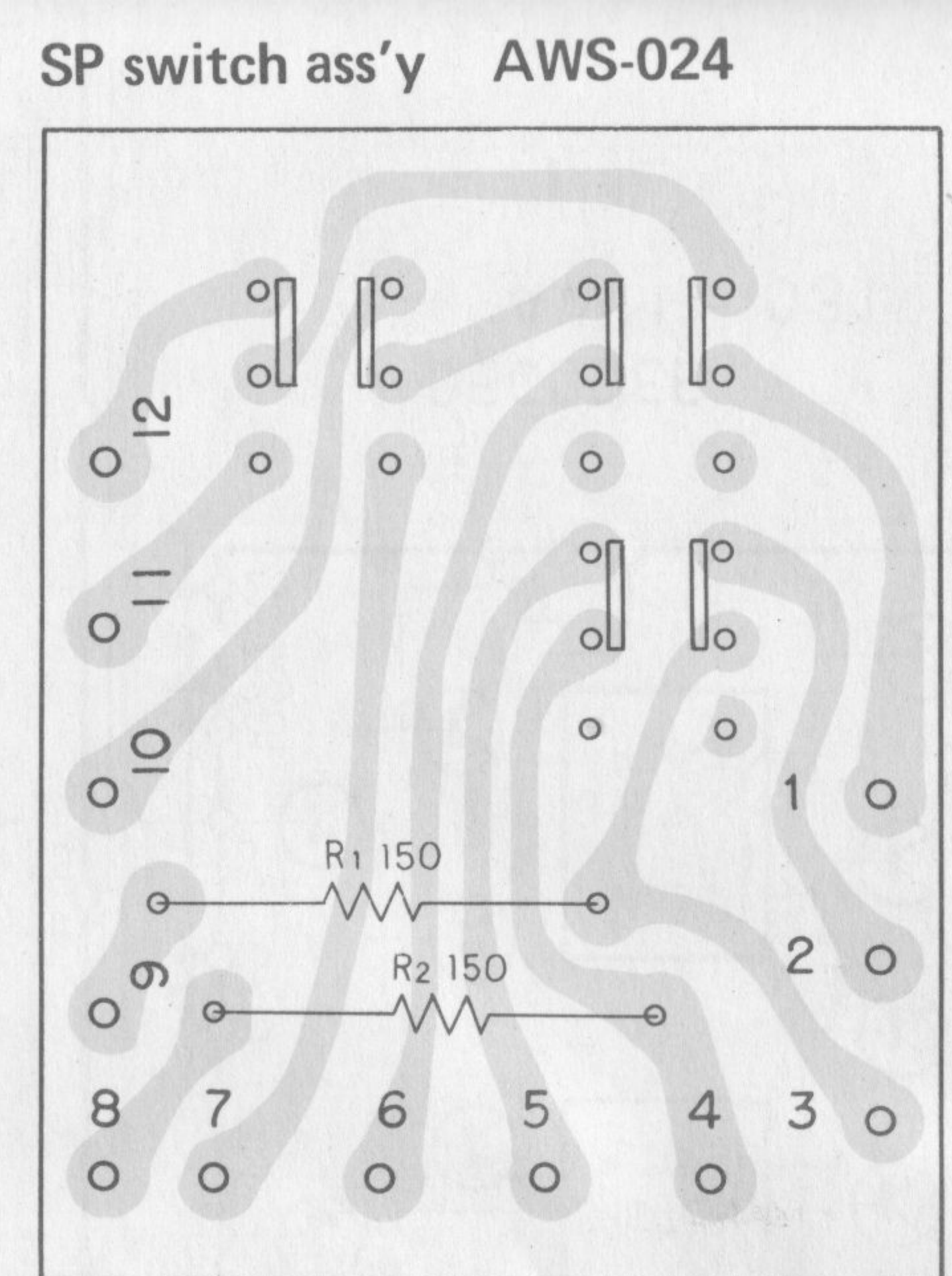
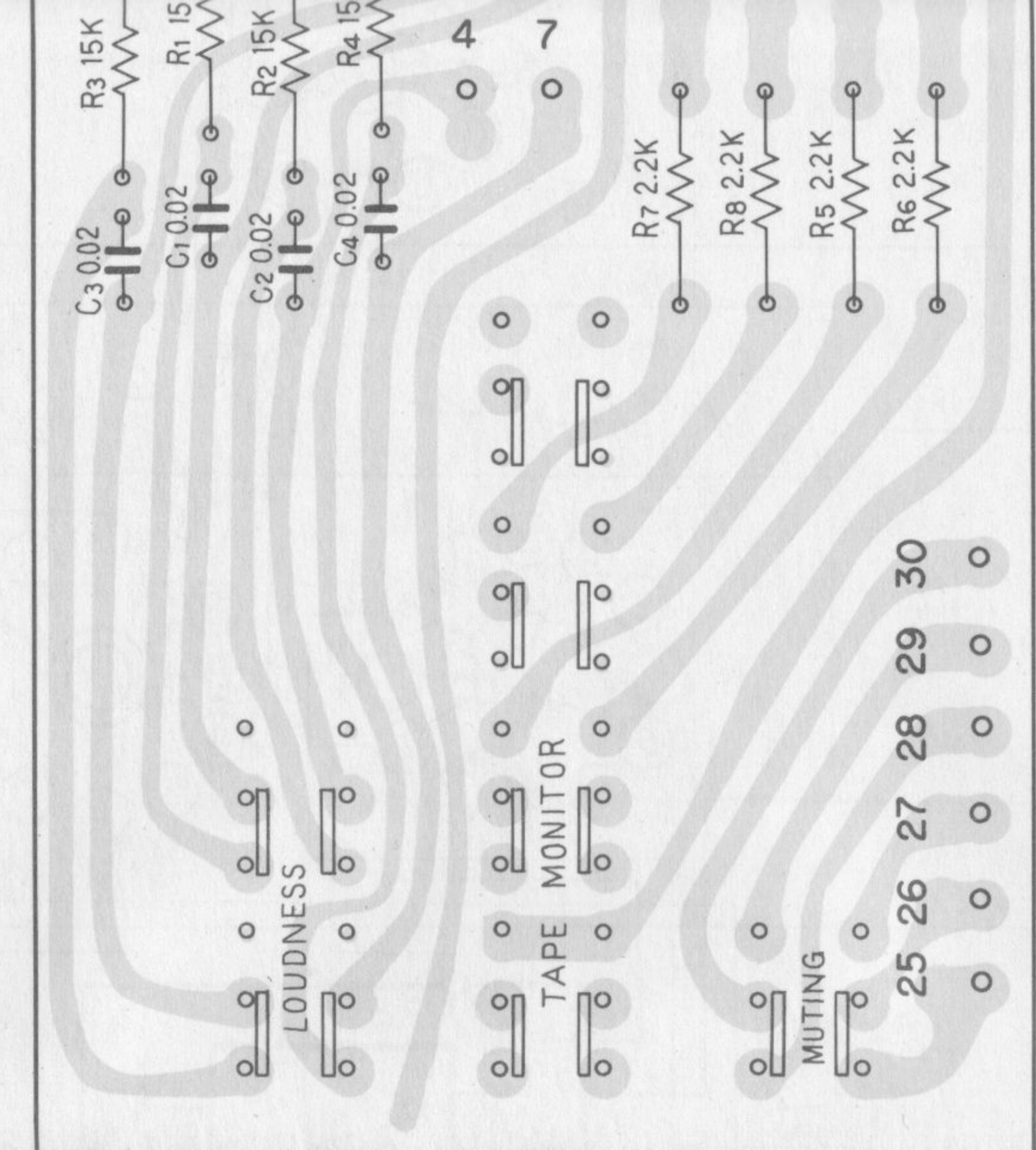
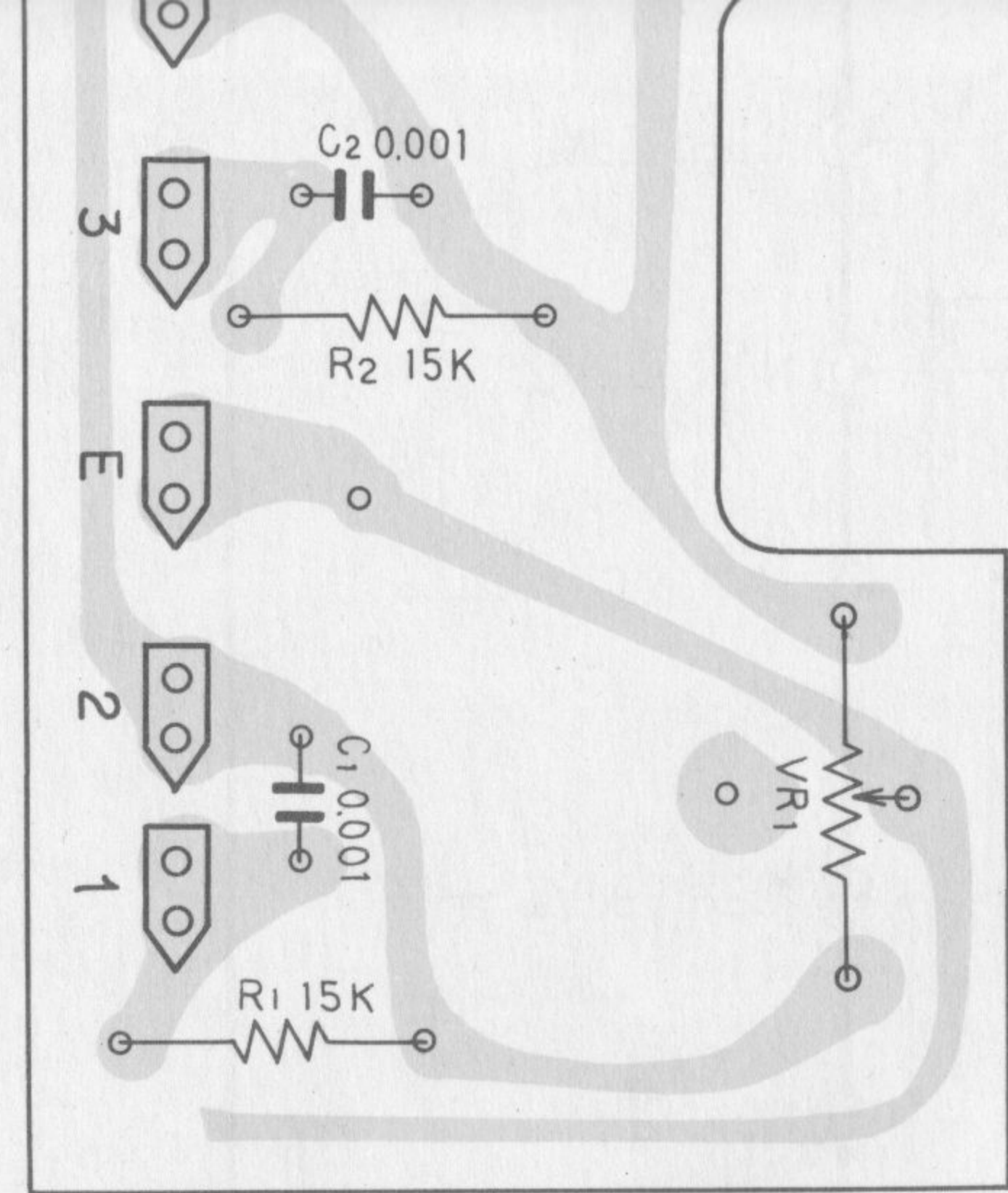


Muting ass'y AWM-033

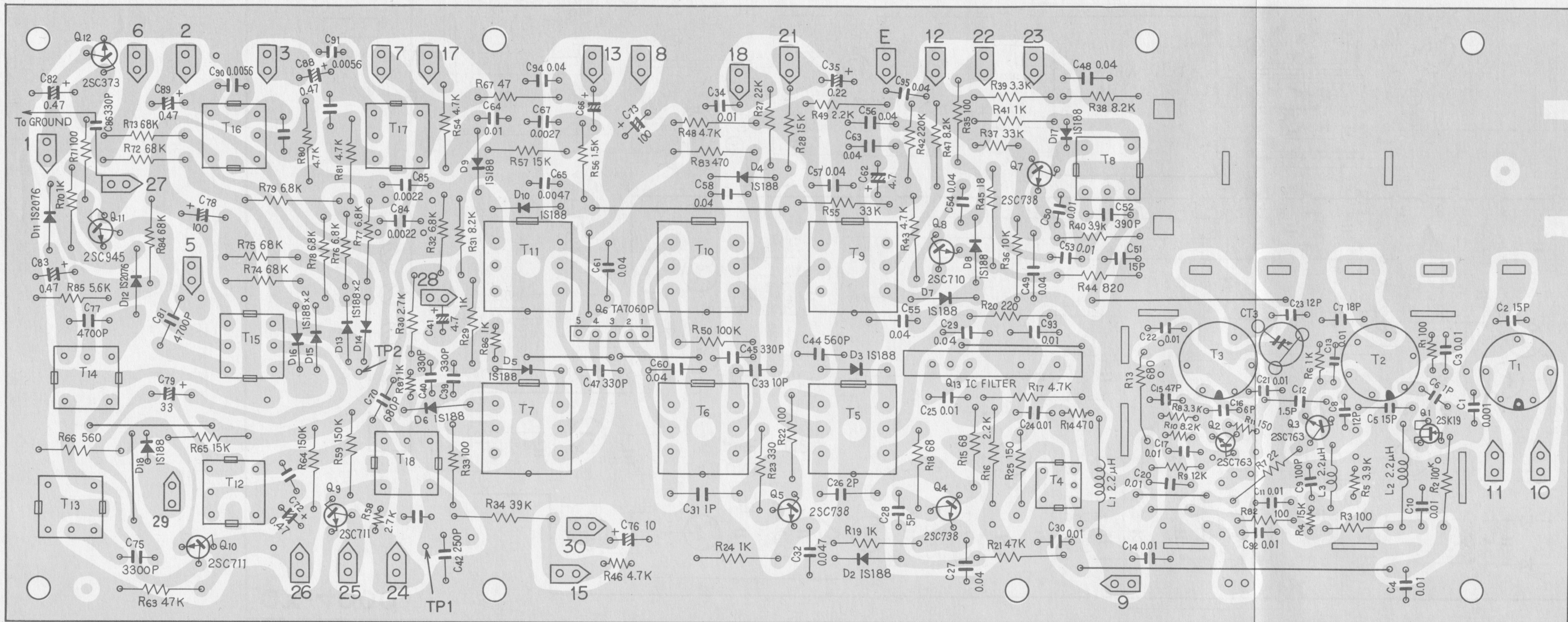


Tuner ass'y AWE-012

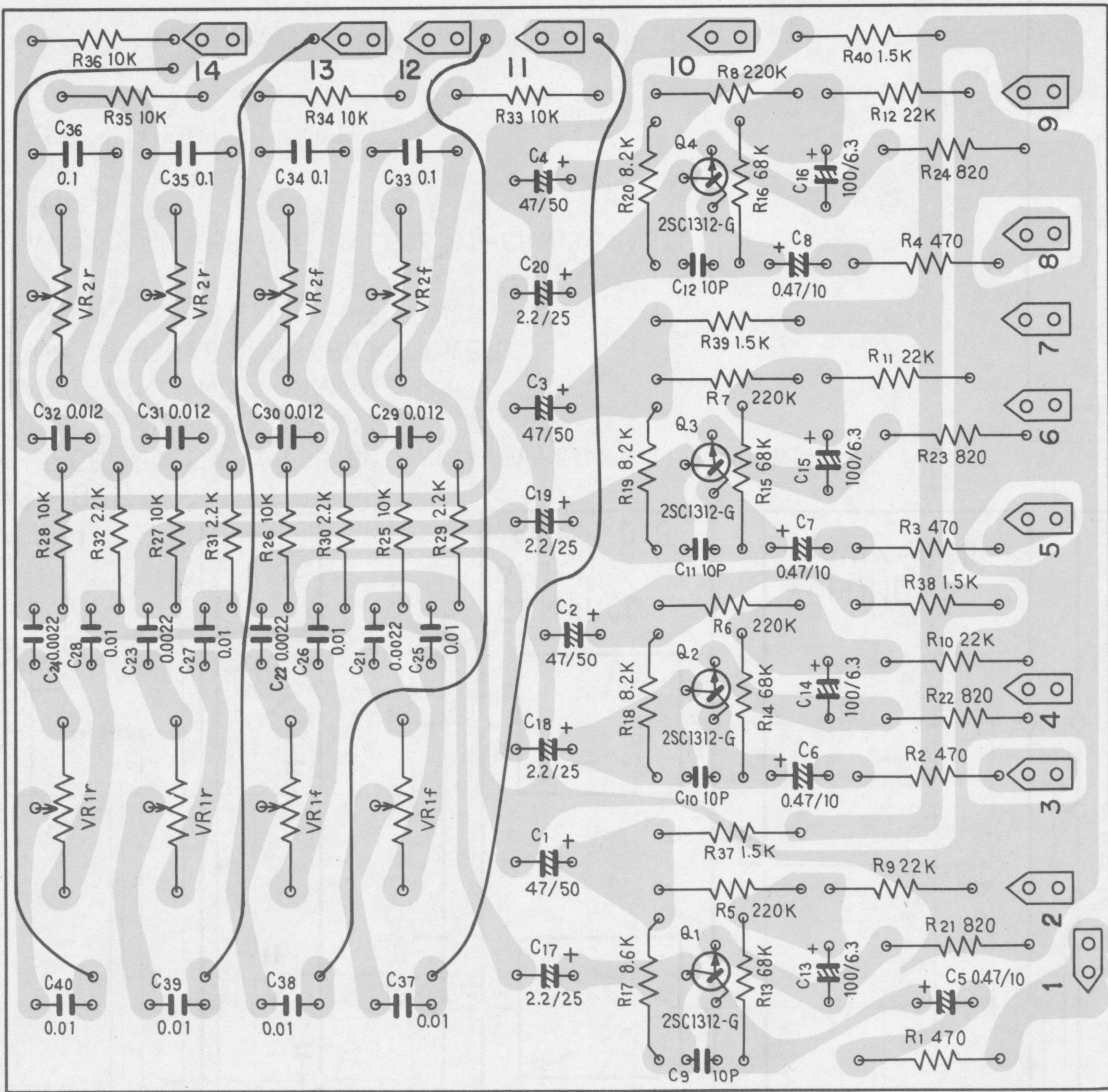




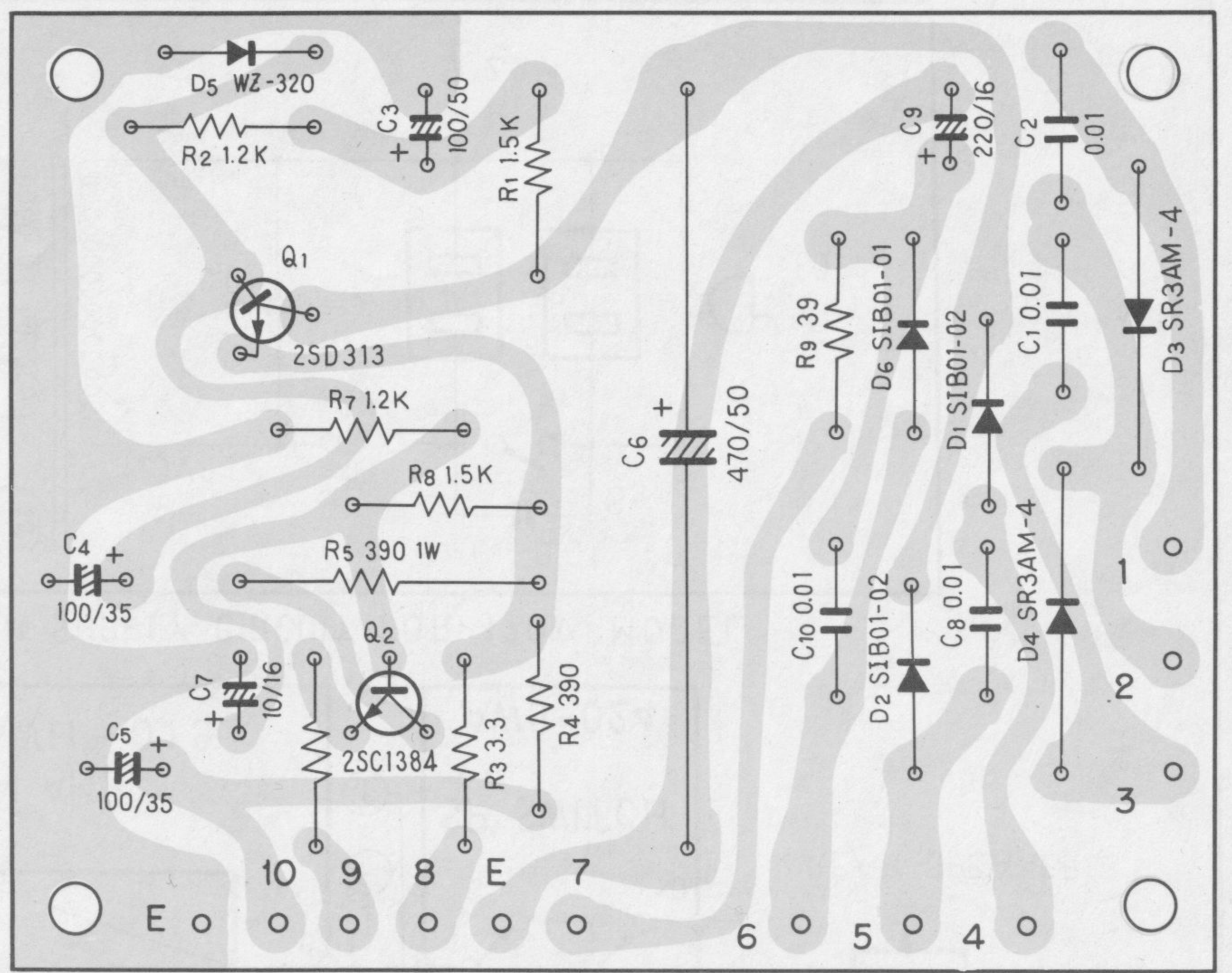
Tuner ass'y AWE-012



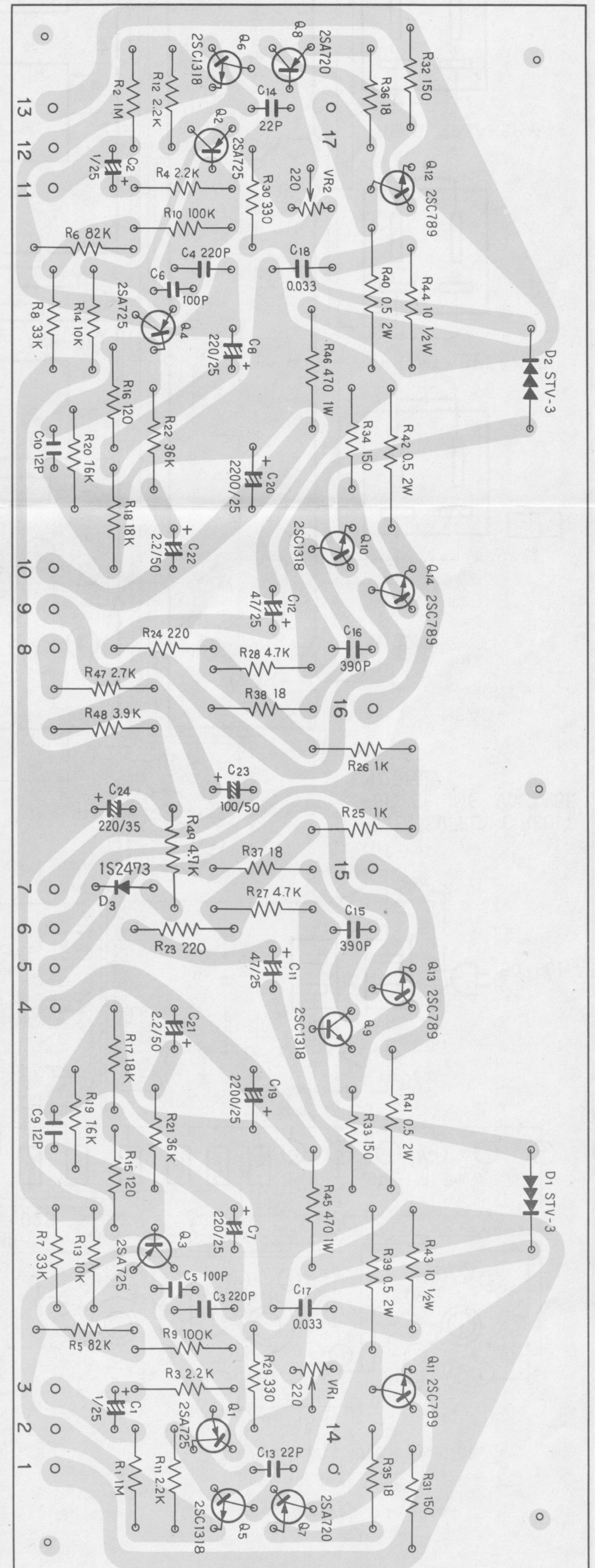
Control amp ass'y AWG-015



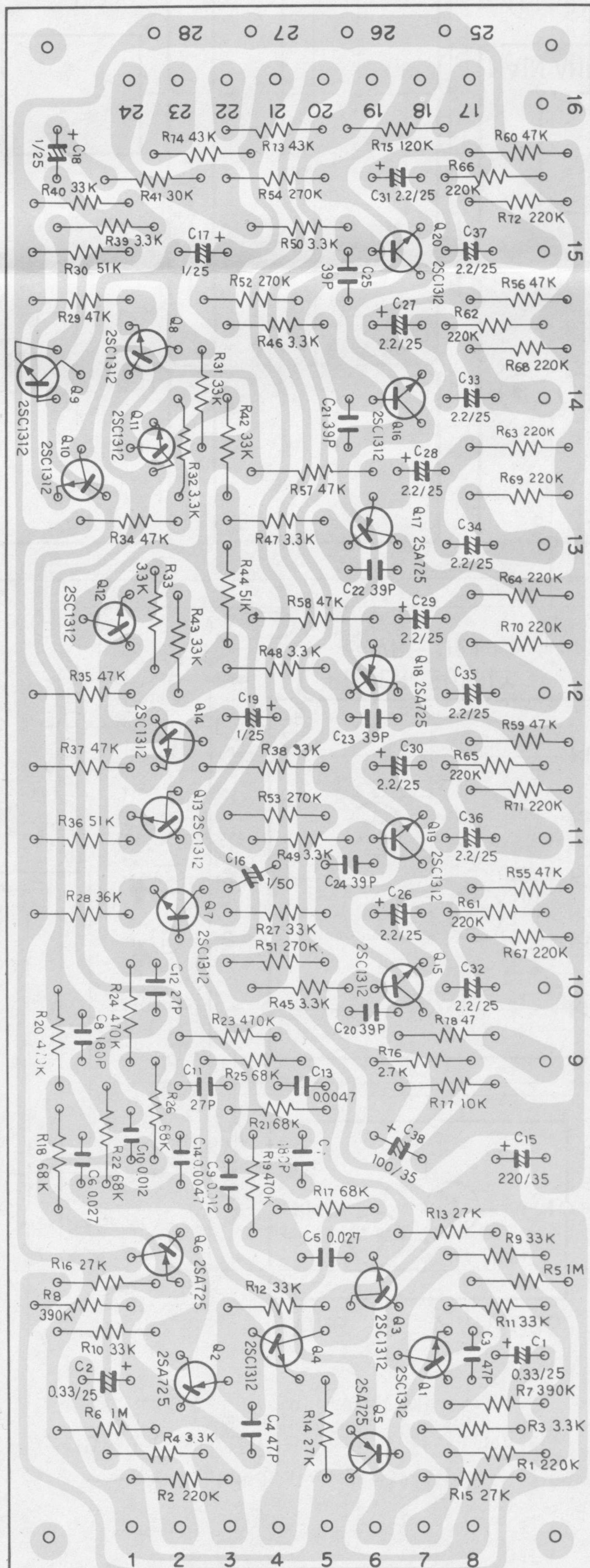
Power supply ass'y AWR-021



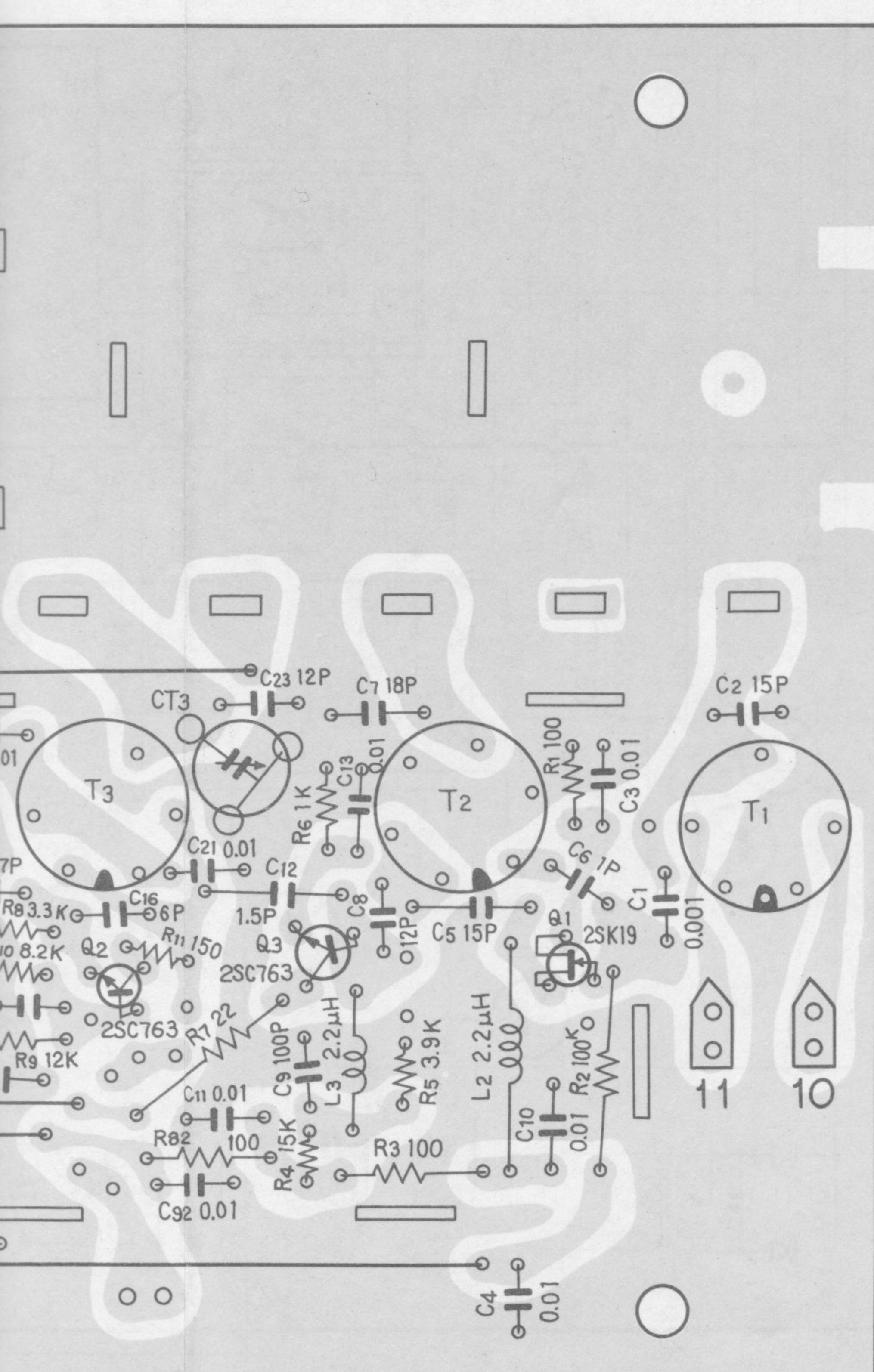
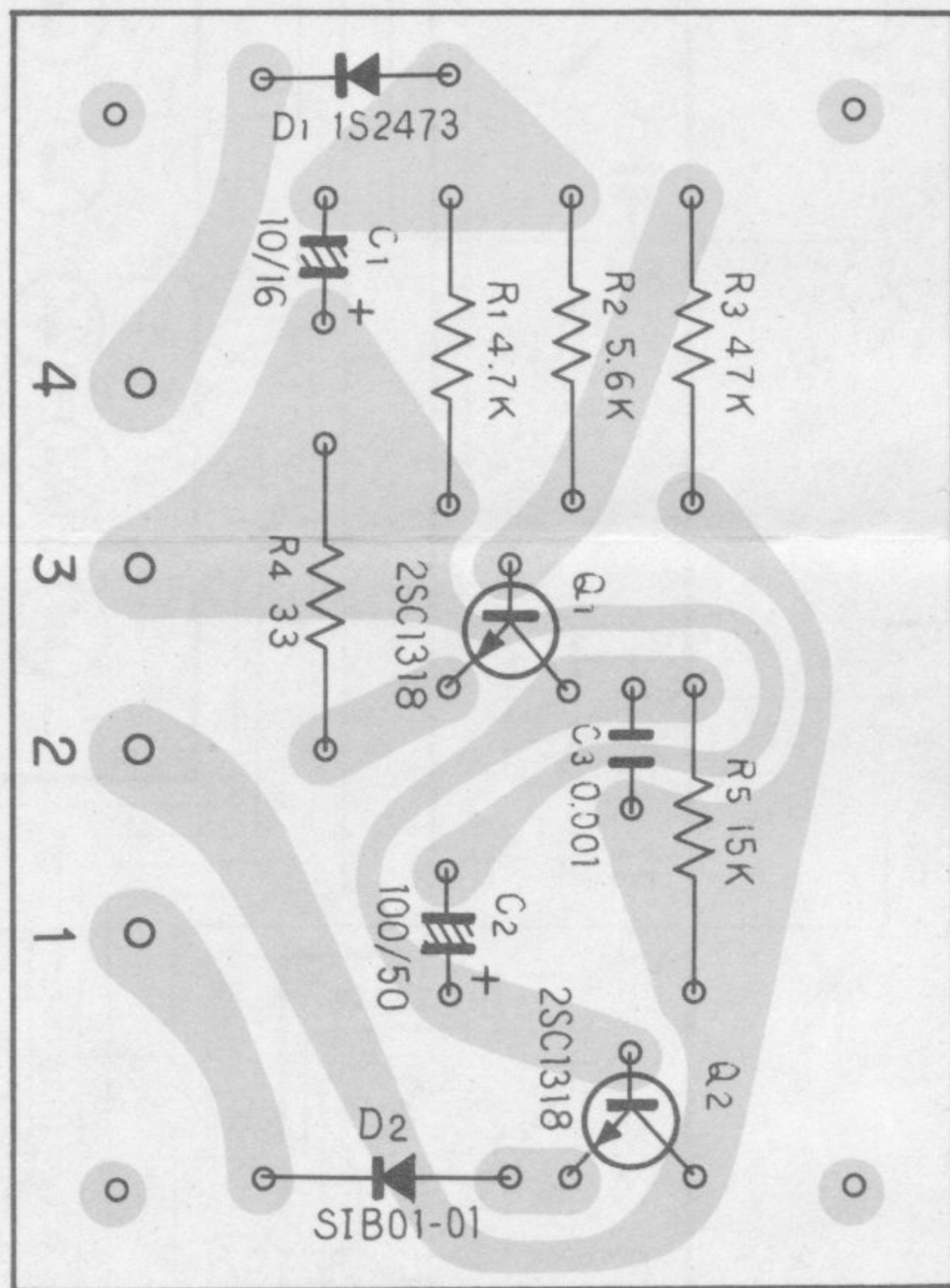
Power amp ass'y AWH-019



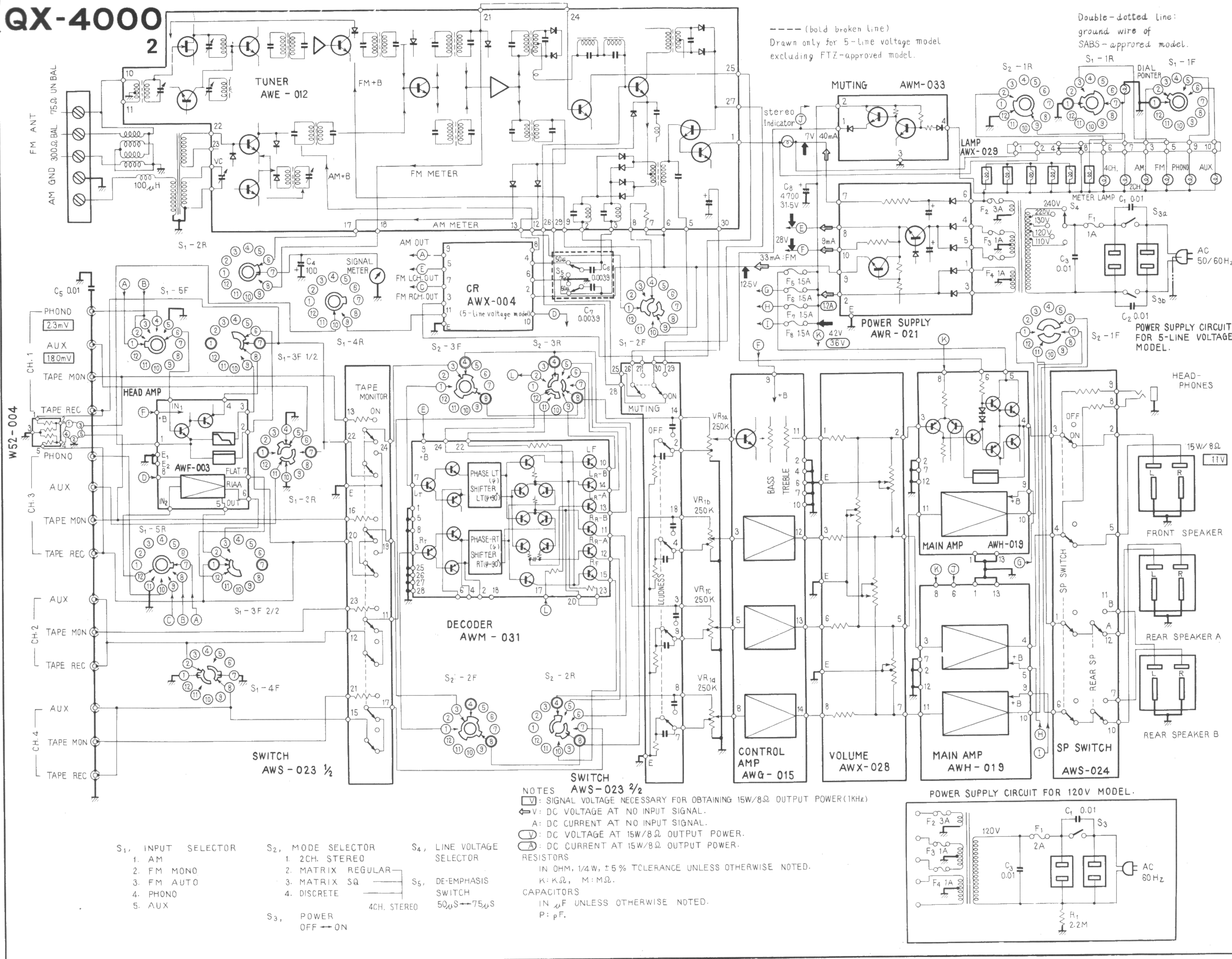
Decoder ass'y AWM-031



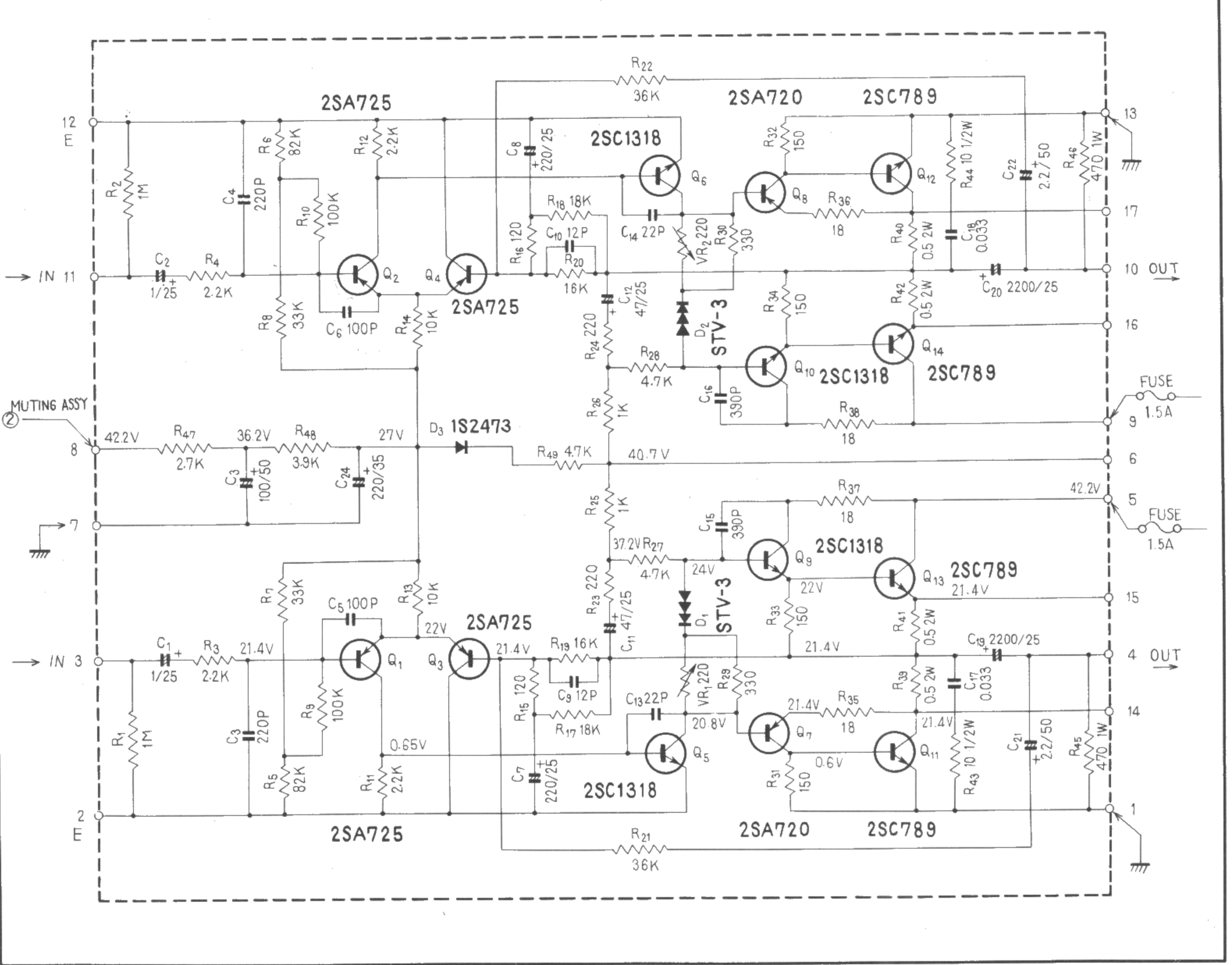
Muting ass'y AWM-033



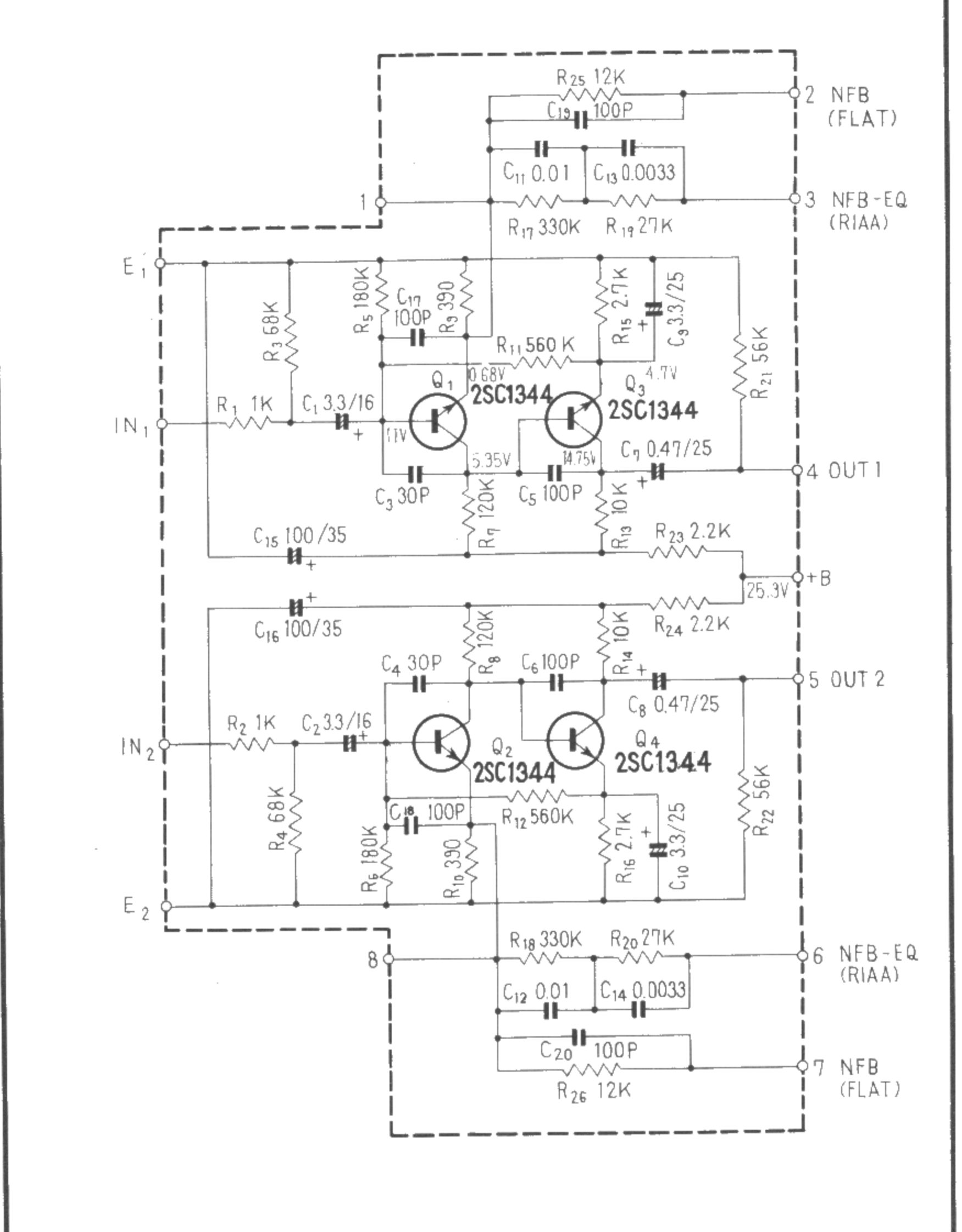
# QX-4000



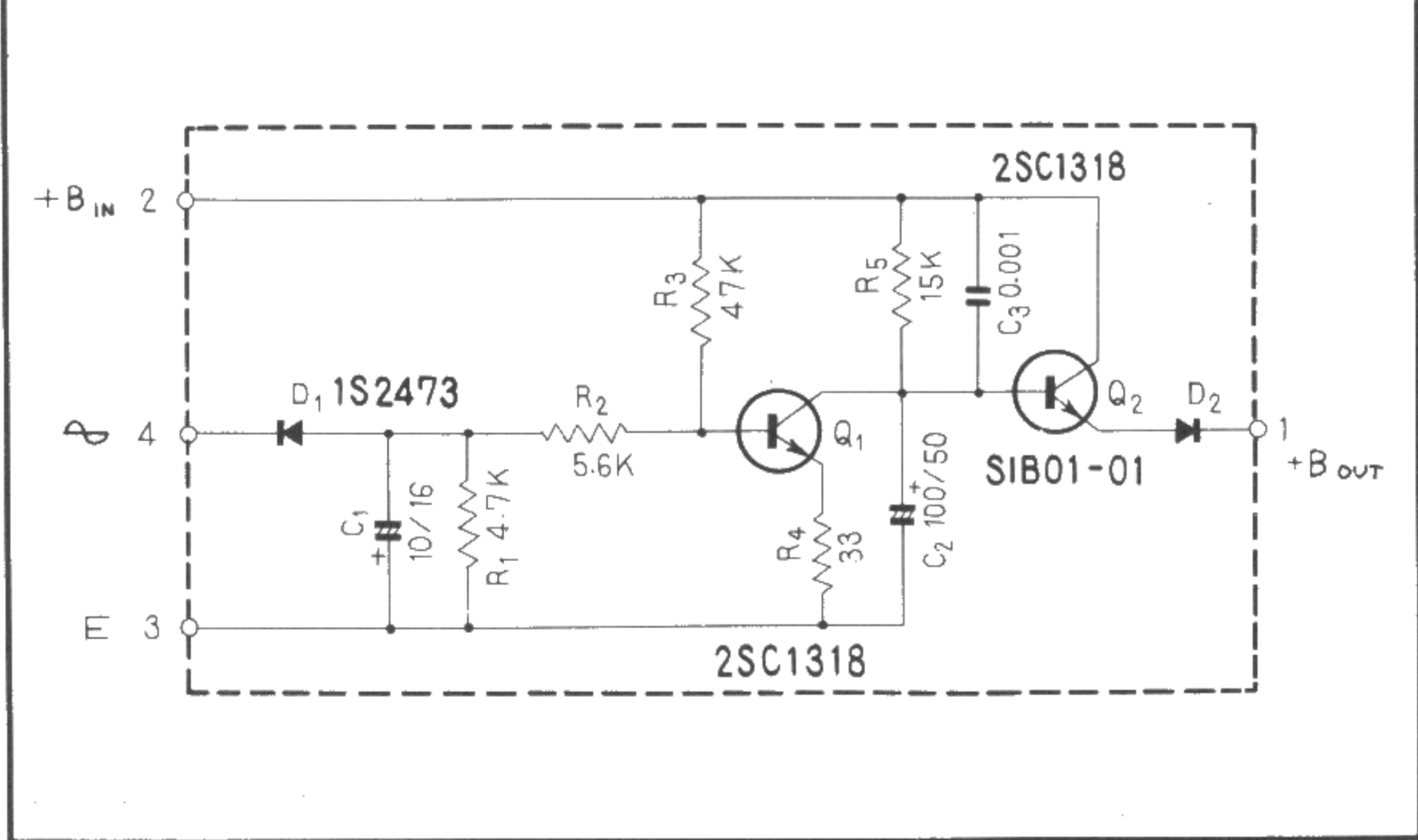
Main amp ass'y AWH-019



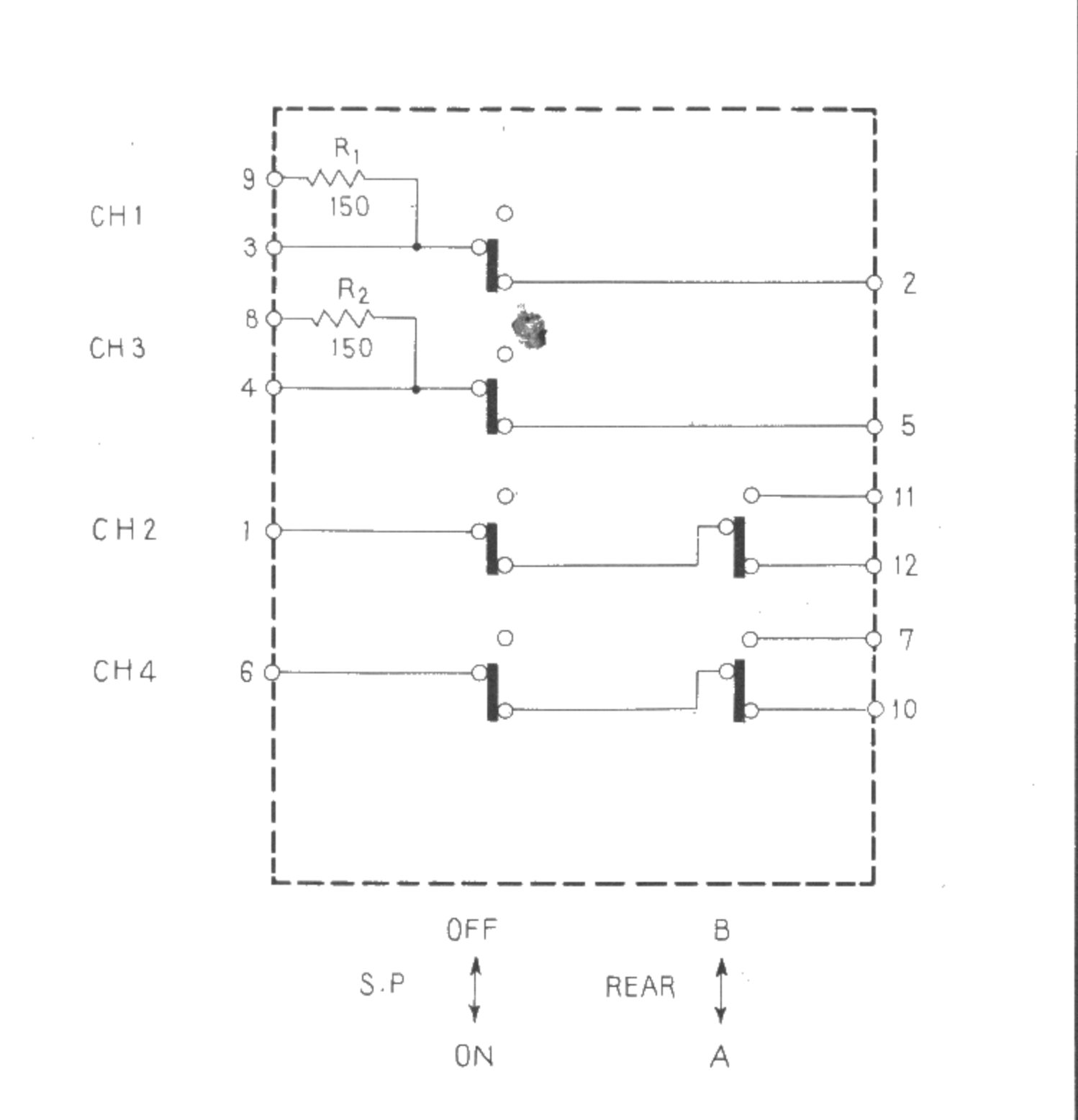
Head amp ass'y AWF-003



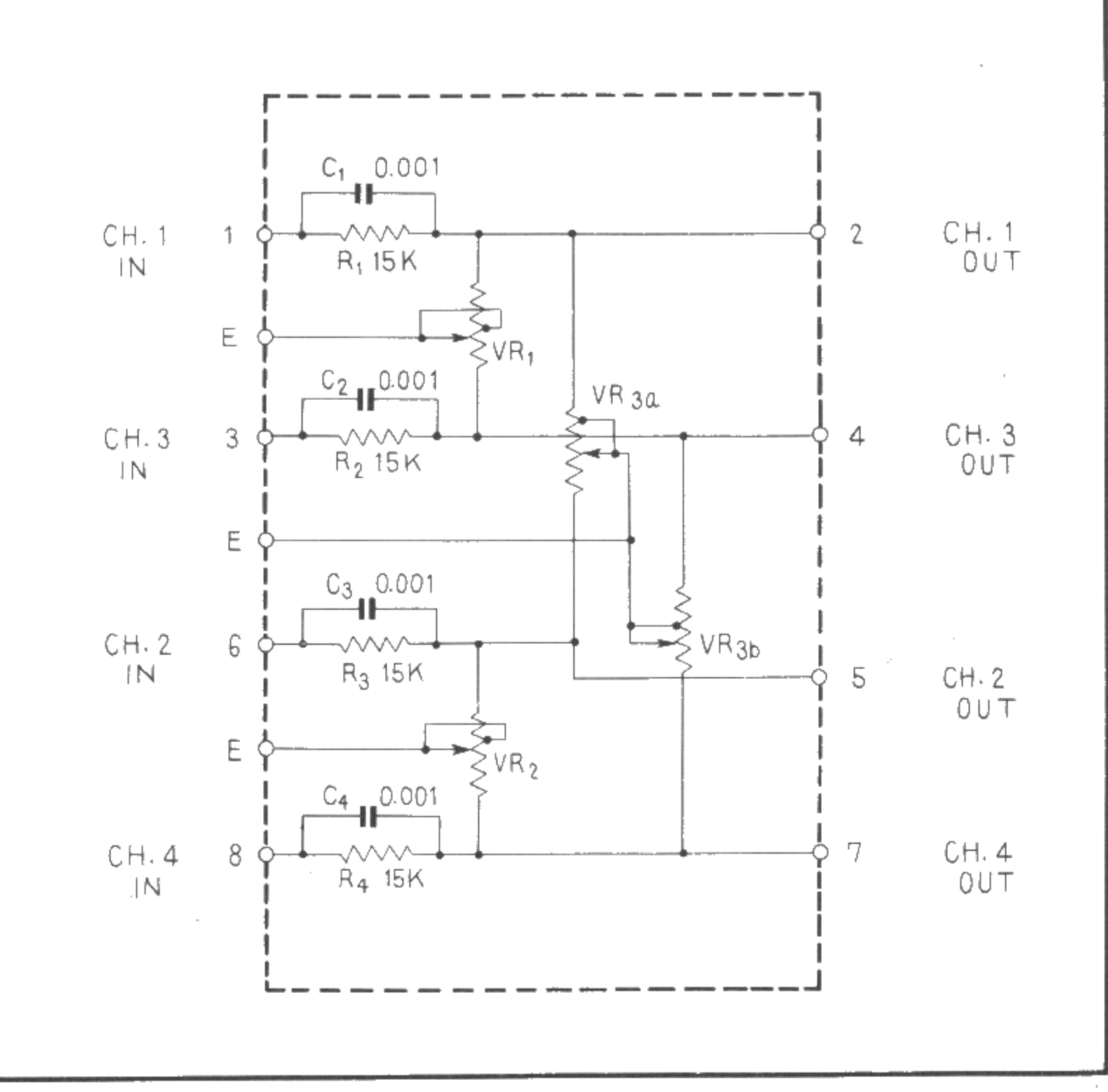
Muting ass'y AWM-033



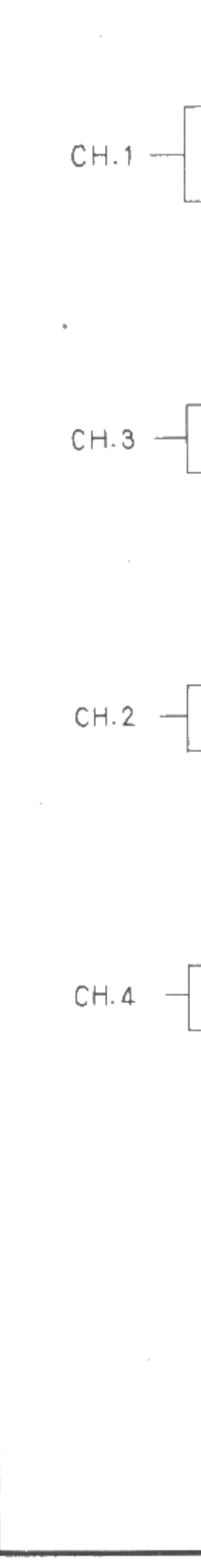
SP switch ass'y AWS-024



Volume ass'y AWX-028



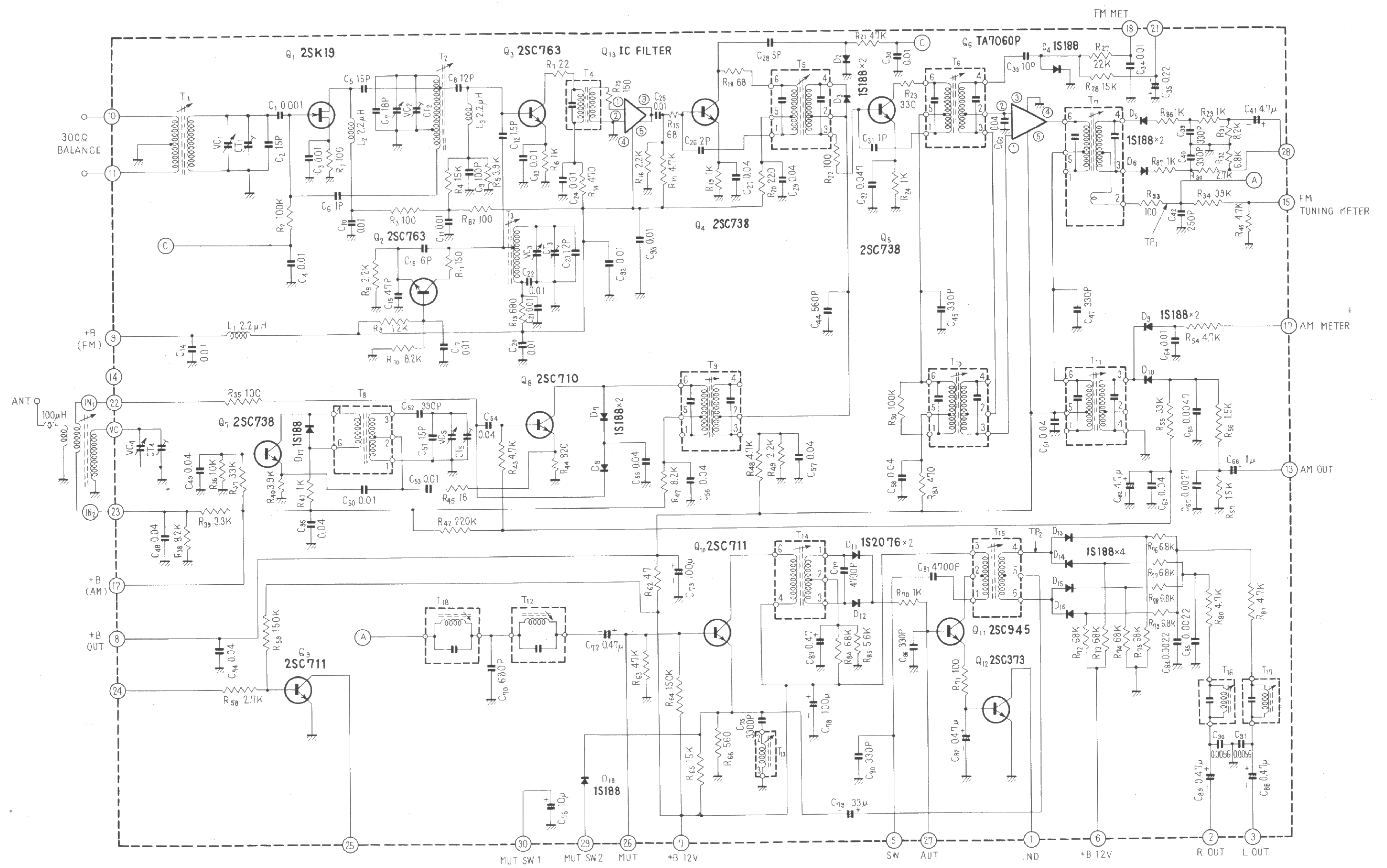
Switch as



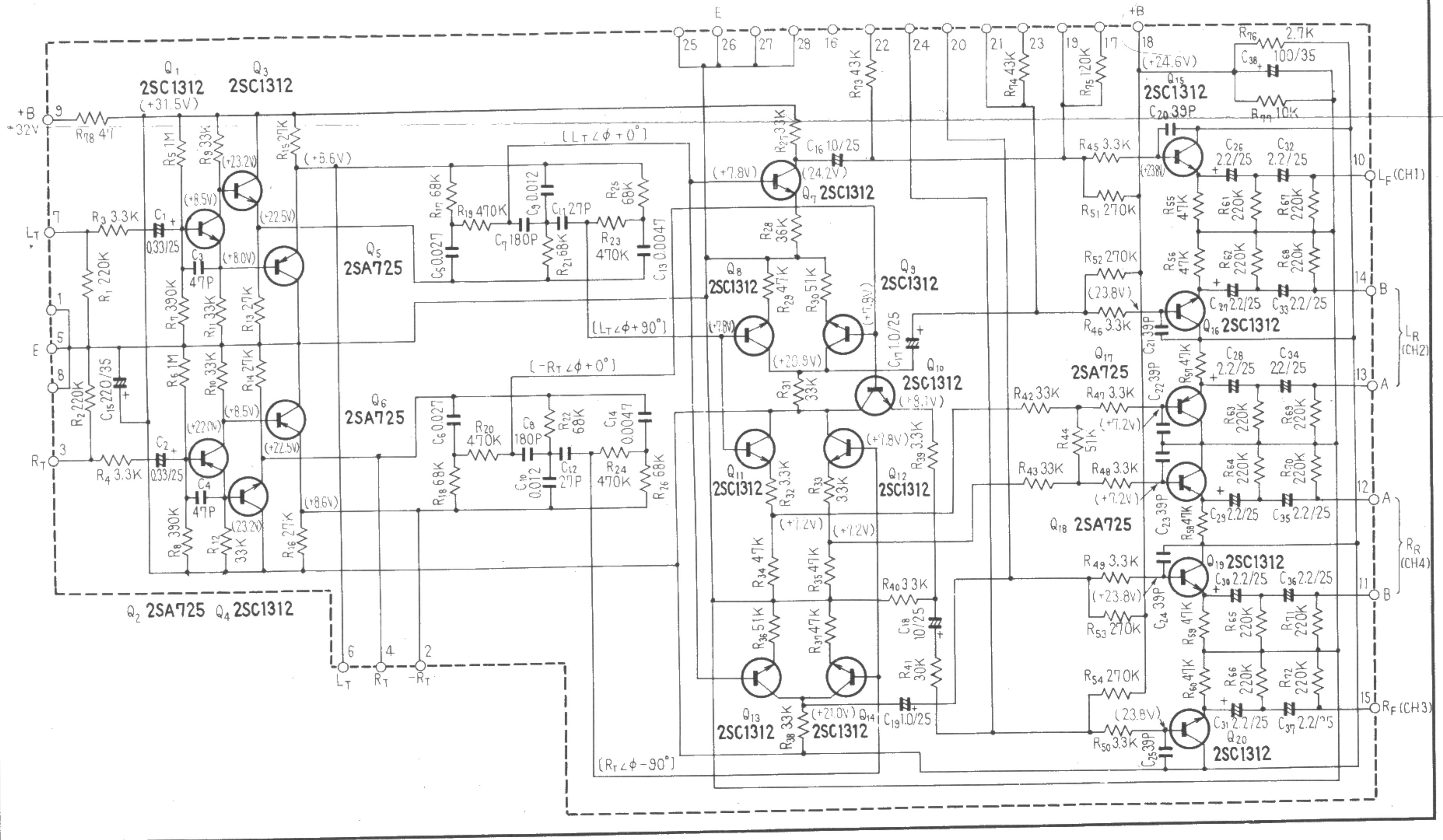
Power s



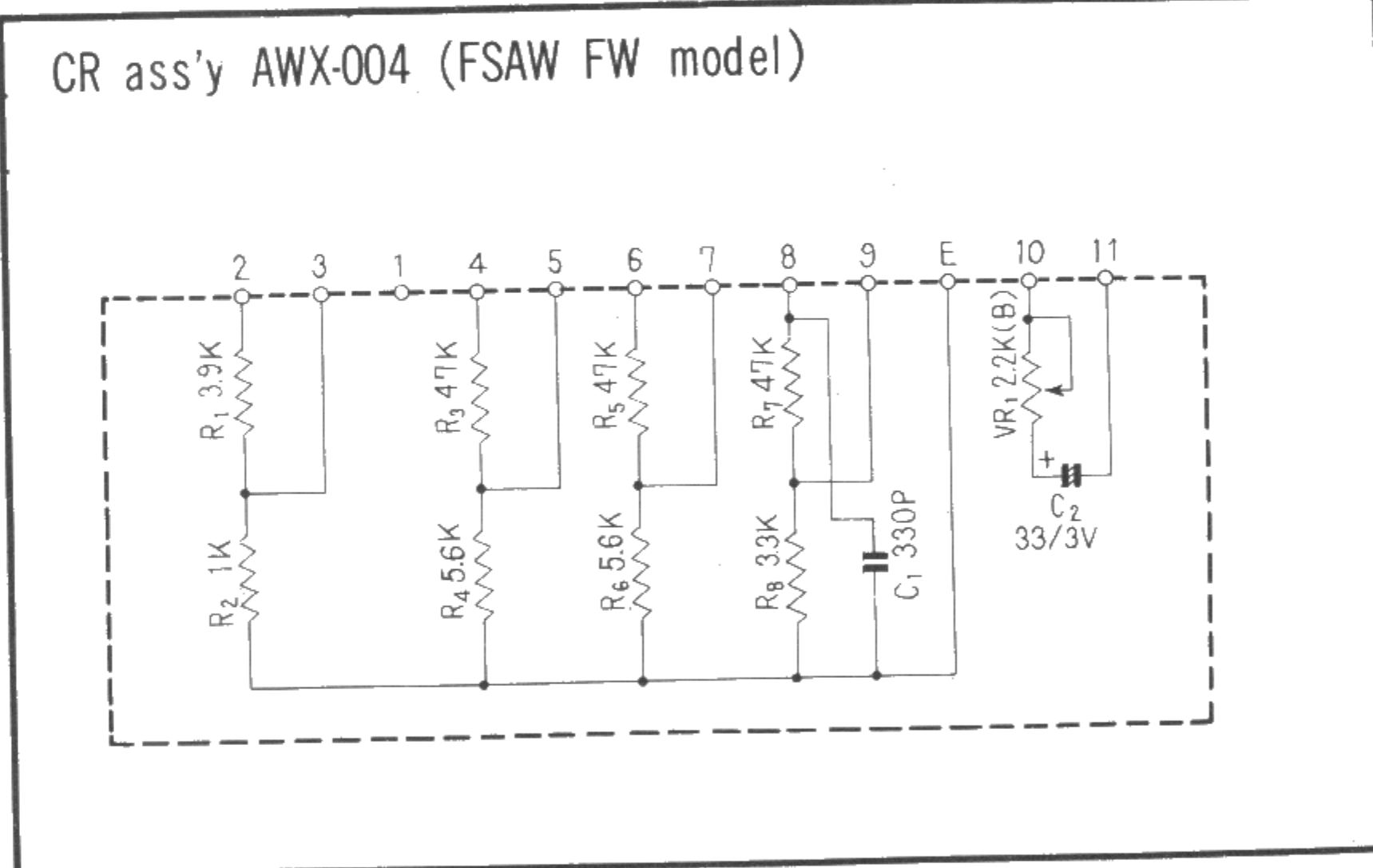
Tuner ass'y AWE-012



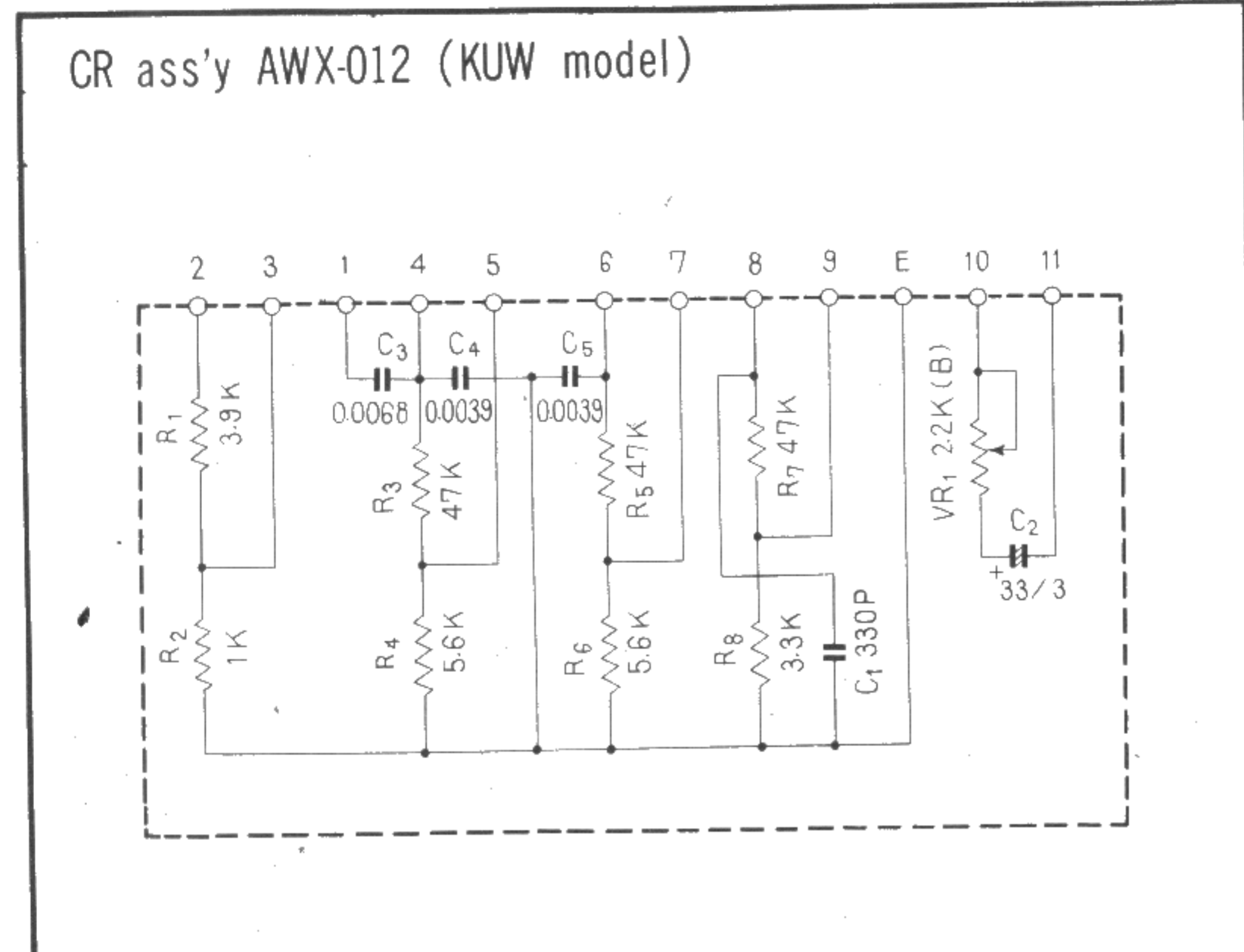
Decoder ass'y AWM-031



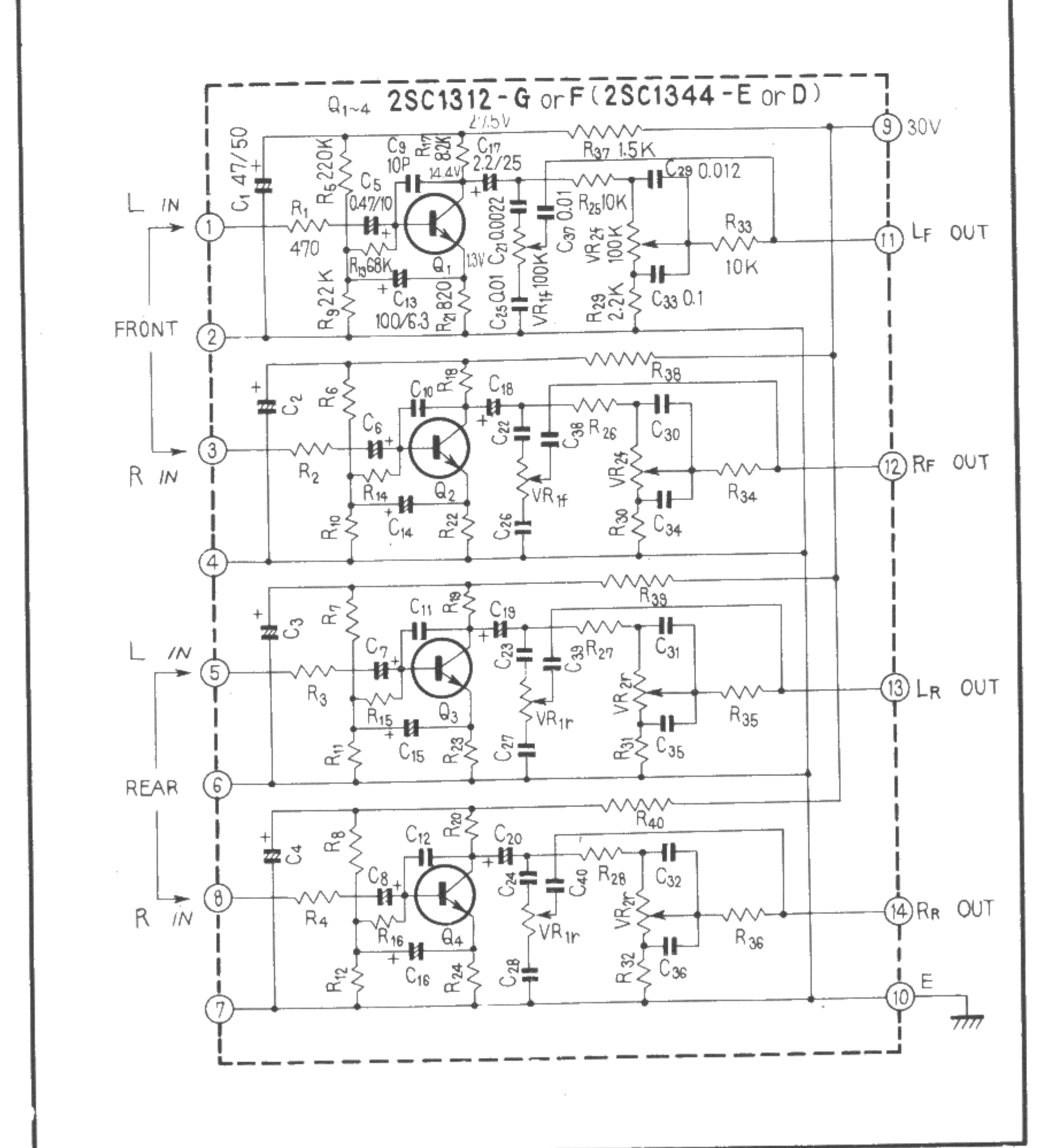
FSAW, FW model



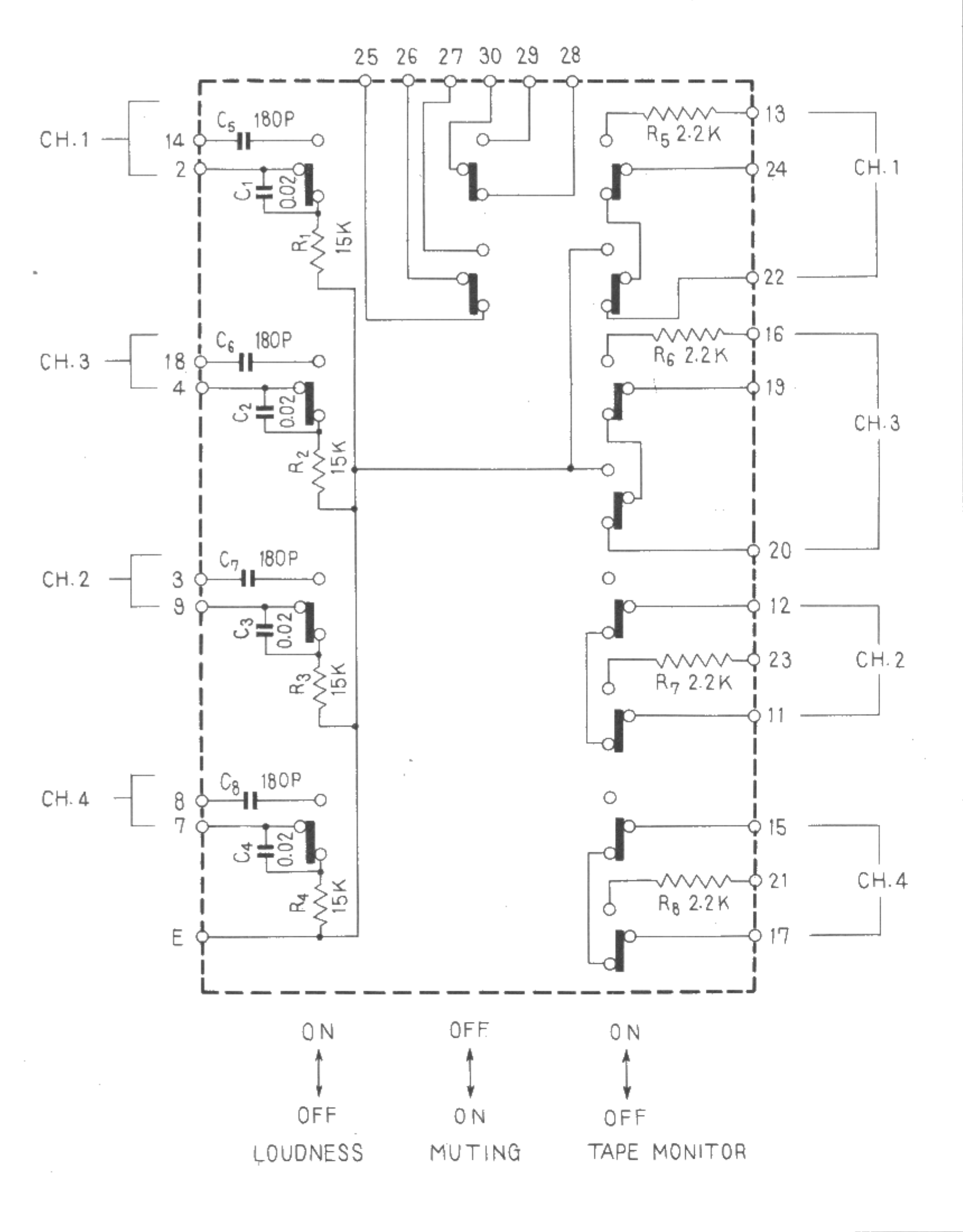
KU model



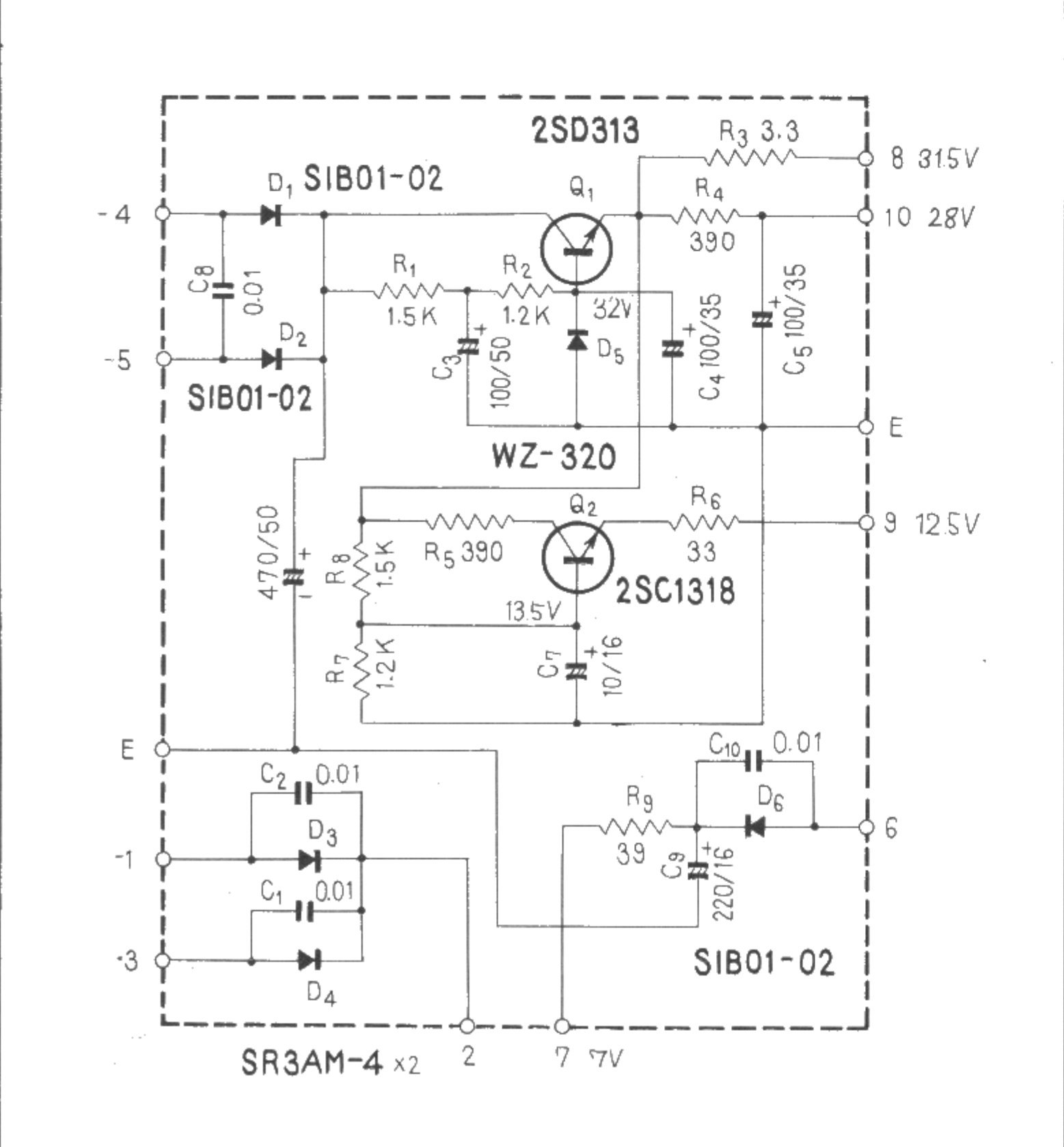
Control amp ass'y AWG-015

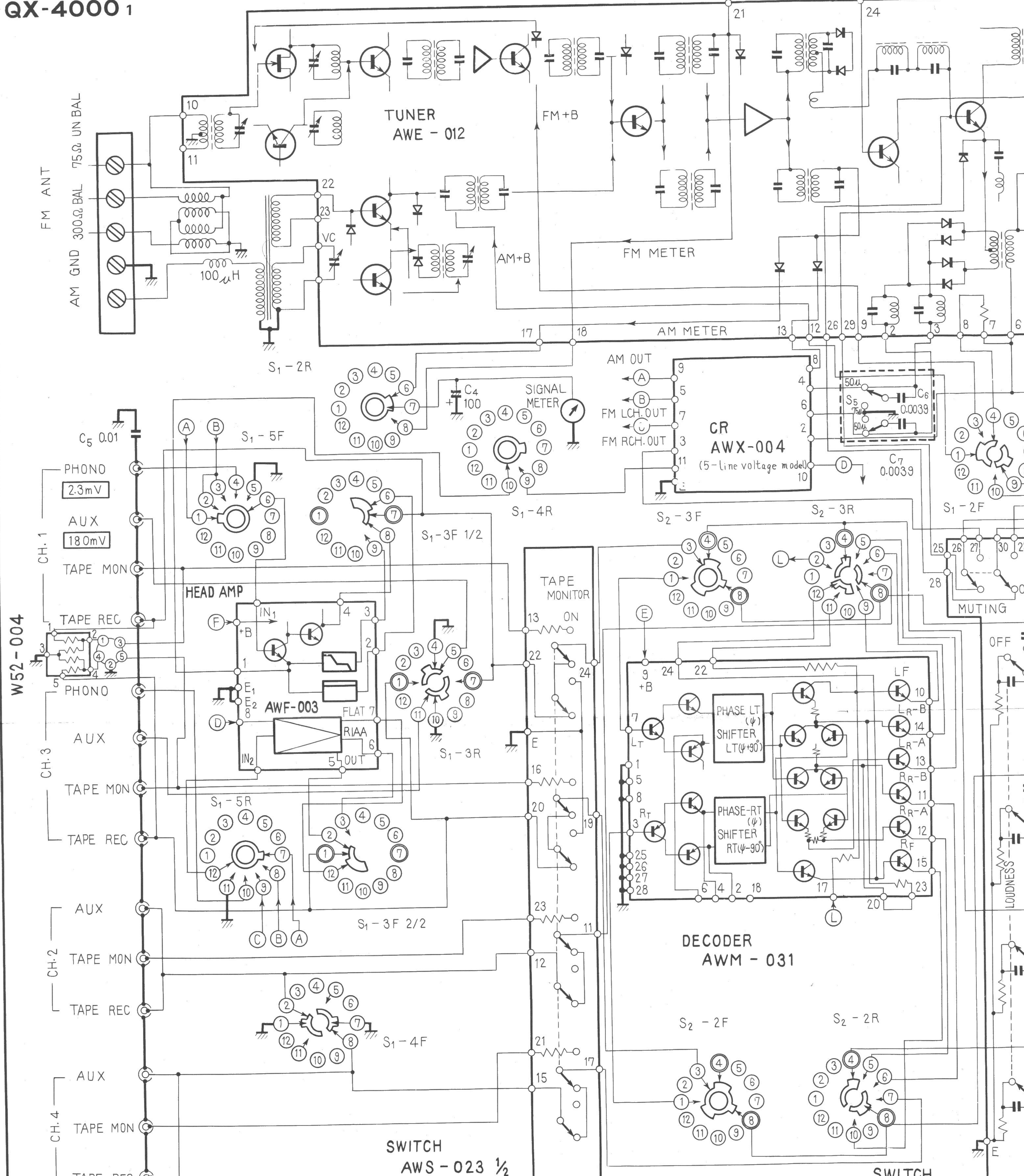


Switch ass'y AWS-023



Power supply ass'y AWR-021





- S<sub>1</sub>, INPUT SELECTOR**
1. AM
  2. FM MONO
  3. FM AUTO
  4. PHONO
  5. AUX

- S<sub>2</sub>, MODE SELECTOR**
1. 2CH STEREO
  2. MATRIX REGULAR
  3. MATRIX SQ
  4. DISCRETE
- S<sub>3</sub>, POWER OFF ↔ ON**

- S<sub>4</sub>, LINE VOLTAGE SELECTOR**
- S<sub>5</sub>, DE-EMPHASIS SWITCH**  
 50 $\mu$ S ↔ 75 $\mu$ S

**NOTES**

⎓: SIGNAL VOLTAGE NECESSARY

↔V: DC VOLTAGE AT NO INPUT

A: DC CURRENT AT NO INPUT

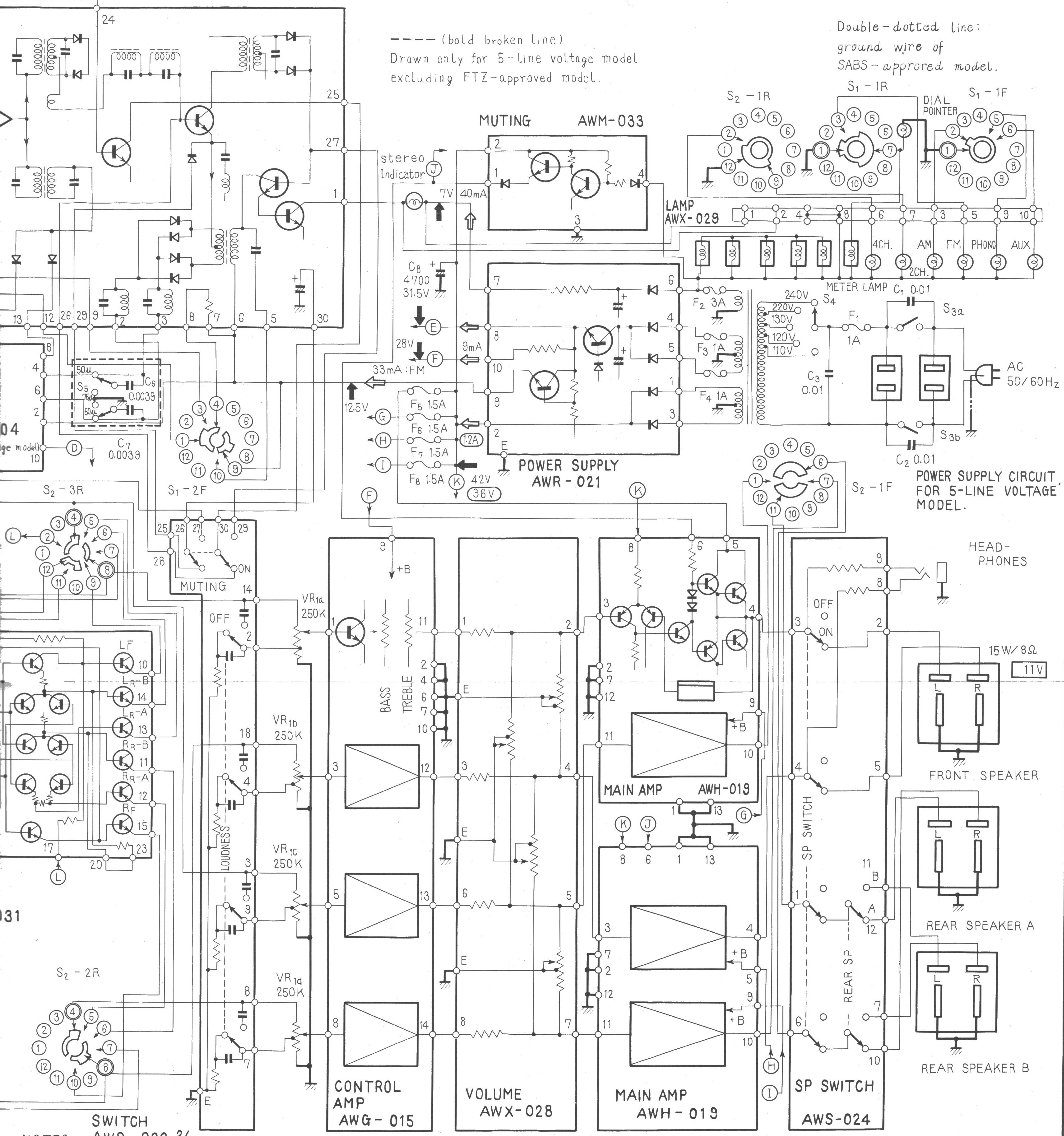
V: DC VOLTAGE AT 15W/8 $\Omega$  0

A: DC CURRENT AT 15W/8 $\Omega$  0

RESISTORS  
 IN OHM, 1/4W,  $\pm$ 5% TOLERANCE  
 K: K $\Omega$ , M: M $\Omega$ .

CAPACITORS  
 IN  $\mu$ F UNLESS OTHERWISE  
 P: pF.

W52-004



NOTES  
 [V]: SIGNAL VOLTAGE NECESSARY FOR OBTAINING 15W/8Ω OUTPUT POWER (1KHz)  
 [←V]: DC VOLTAGE AT NO INPUT SIGNAL.  
 [A]: DC CURRENT AT NO INPUT SIGNAL.  
 [V]: DC VOLTAGE AT 15W/8Ω OUTPUT POWER.  
 [A]: DC CURRENT AT 15W/8Ω OUTPUT POWER.

RESISTORS  
 IN OHM, 1/4W, ±5% TOLERANCE UNLESS OTHERWISE NOTED.  
 K: KΩ, M: MΩ.

CAPACITORS  
 IN μF UNLESS OTHERWISE NOTED.  
 P: pF.

